



Philadelphia Hardware Group, Inc.

6590 Top Gun Street  
San Diego, CA 92121  
[www.philhardware.com](http://www.philhardware.com)

Tel  
858.642.0450  
858.545.2309  
Fax  
858.642.0454

# 500T Series

**GRADE 3  
ROYAL**

## SPECIFICATIONS



**500T-RY-US12P  
Entrance**

Door Prep	Cross bore: 2-1/8" Edge bore: Edge Bore: 1" Latch Face: 1" x 2-1/4"	
Backset	Fits both 2-3/8" and 2-3/4".	
Door Fitting	1-3/8" ~ 1-3/4" door thick. Special order for 2" door thick.	
Exposed Trim	Zinc or Stainless steel. Lever is zinc alloy.	
Keys	Key as requested (KA, KD, MCK, MK, GMK).	
Cylinder	KW1 standard, SC1 optional.	
Latch	2-3/8" and 2-3/4" adjustable Bolt: 1/2" throw. Faceplate: 1" x 2-1/4" round corner.	
Strike	Full lip 1-3/4" x 2-1/4" round corner (9103).	
Door Handing	Reversible, suitable for both right and left hand door.	
Function	500T – Entrance 501T – Passage 502T – Privacy 515T – Single Dummy   500TP – Entrance with Panic-proof Push Button 502TP – Privacy with Panic-proof Push Button Stock for US10B, US12P, US15 only, special order for other finishes.	
Finish	Stock Finish: US3 Polish Brass      US15 Satin Nickel US5 Antique Brass      US15A Pewter US10B Oil-Rubbed Bronze      US26 Polish Chrome US12P Tuscany Bronze  Other required finish is subject to minimum order quantity and longer delivery lead-time.	

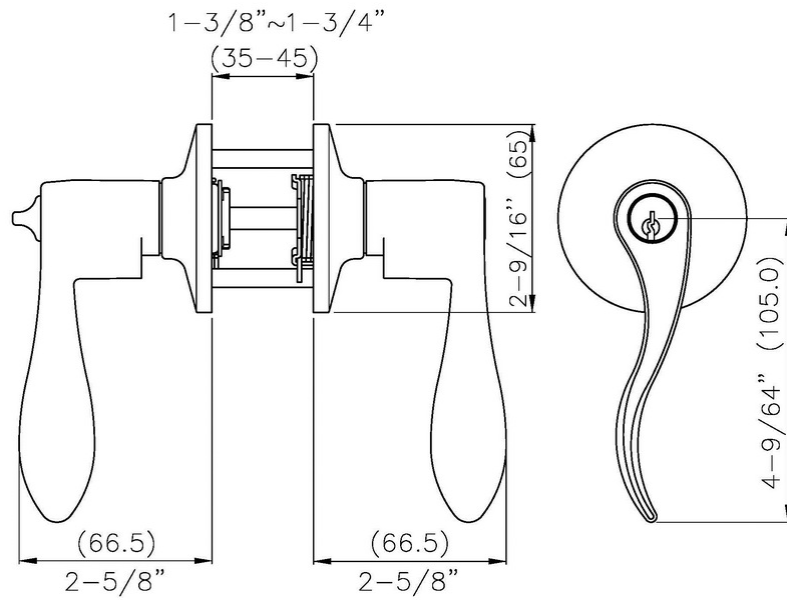


**Philadelphia Hardware Group, Inc.**

6590 Top Gun Street  
San Diego, CA 92121  
[www.philihardware.com](http://www.philihardware.com)

Tel  
858.642.0450  
858.545.2309  
Fax  
858.642.0454

## DIMENSIONS



**SAN DIEGO**

•

**CHICAGO**

•

**ATLANTA**

1-3/8" ~ 1-3/4"

TQ1100

