

# EZSET Specifications

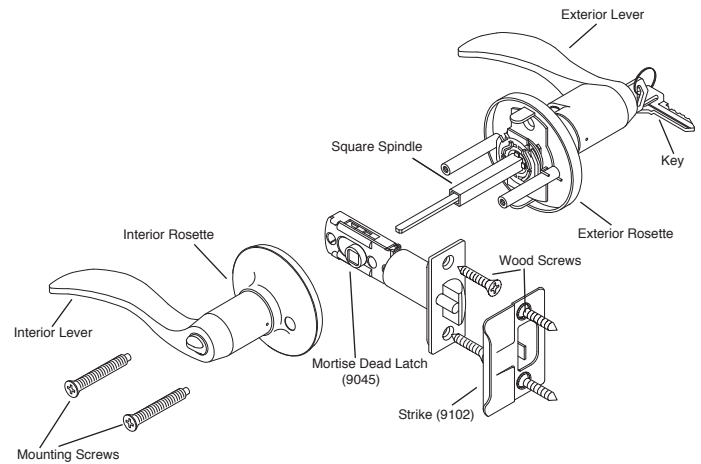


Philadelphia Hardware Group

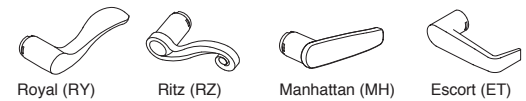
## 500TZ Series Leverset Meets ANSI Grade 3 Standards

### STANDARD SPECIFICATIONS

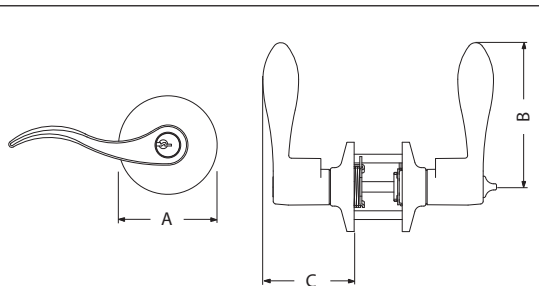
<b>Door Prep</b>	Cross bore: 2-1/8". Edge bore: 1". Latch face" 1" x 2-1/4".
<b>Backset</b>	Fits 2-3/8" and 2-3/4" both.
<b>Door Thickness</b>	1-3/8" ~ 1-3/4" door standard.
<b>Cylinder</b>	KW1 5-pin standard.
<b>Latch</b>	Entrance: 2-3/8" and 2-3/4" adjustable. (9045R) Privacy/Passage: 2-3/8" and 2-3/4" adjustable. (9074) Faceplate: 1" x 2-1/4" round corner. Bolt: 1/2" throw.
<b>Strike</b>	1-3/4" x 2-1/4" full lip round corner. (9103)
<b>Wood Screws</b>	Combination screws that suit both wood or metal door mounting.
<b>Door Handing</b>	RY & RZ: Reversible levers MH & ET: Non-handed levers <b>*Handing required for dummy function and exterior with knob only.</b>



### Optional for Lever Designs

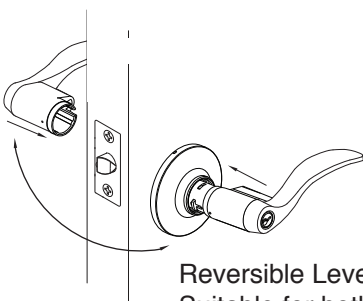


### DIMENSIONS (Entrance)



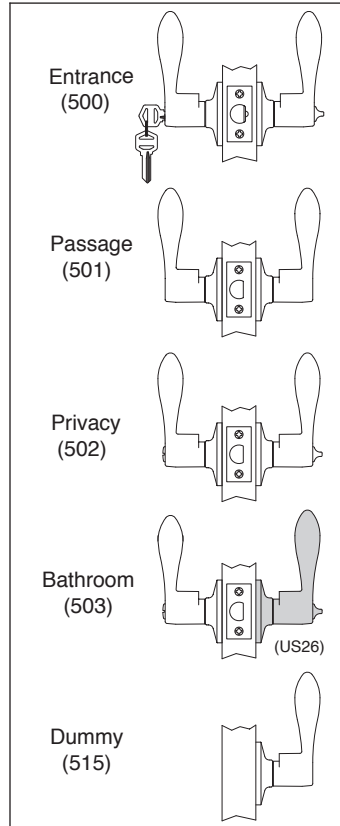
#### DESIGN

	Royal	Ritz	Manhattan	Escort
A	2-9/16"	2-9/16"	2-9/16"	2-9/16"
B	4-9/64"	3-11/16"	3-45/64"	3-45/64"
C	2-5/8"	2-11/32"	2-21/64"	2-21/64"



Reversible Lever  
Suitable for both right or  
left handed door

### FUNCTIONS



### OPTIONS

DESCRIPTION	NOTE
Door Thickness	Available for 2" and 2-1/4" thick door.
Cylinder	SC1 5-pin.
Keying	Keying as requested.
Latch	Entrance: Square corner (9045), Drive-in. (9045C) Passage/Privacy: Square corner (9072), Drive-in. (9076)
UL Latch	Available.
Strikes	1-1/8" x 2-3/4" "T" Type. (9101) 1-3/4" x 2-1/4" Full Lip Square Corner Strike. (9102) 1-3/4" Full Round Strike. (9108) 1-1/4" x 2-3/4" "T" Type Adjustable. (9125)
Function	Privacy with inside free. ♿
Split Finishes	Available upon request.
Exterior	Exterior with knob is available.

### AVAILABLE FINISHES

FINISH		RY	RZ	MH	ET
US3	Polished Brass	•	•	•	•
US5	Antique Brass	•	•	•	•
US15	Satin Nickel	•	•	•	•
US15A	Antique Nickel (Pewter)	•	•	•	•
US26	Polished Chrome	•	•	•	•
US10B	Oil Rubbed Bronze	•	•	•	•
US12P	Tuscany Bronze	•	•	•	•

\*Other finishes maybe available upon request. Please call for more information.



1-3/8" ~ 1-3/4"

TR1100

