

# RH Series TUBULAR LEVERSET

**ANSI GRADE 2**

**ANSI GRADE 2**  
ANSI/BHMA A156.2-2003  
Series 4000, Grade 2  
Exceeds 400,000 cycles



**LISTED**

3 hours Fire rating  
UL10C/UBC 7-2(1997)  
Positive Pressure Rated



ADA compliant  
ANSI A117.1  
Barrier Free  
Accessibility

**LIFETIME Warranty**

**CALIFORNIA STATE  
REFERENCE CODE**

Formerly Title 19,  
California State Fire Marshal (CSFM)  
levers return to within 1/2" of door face

## Features

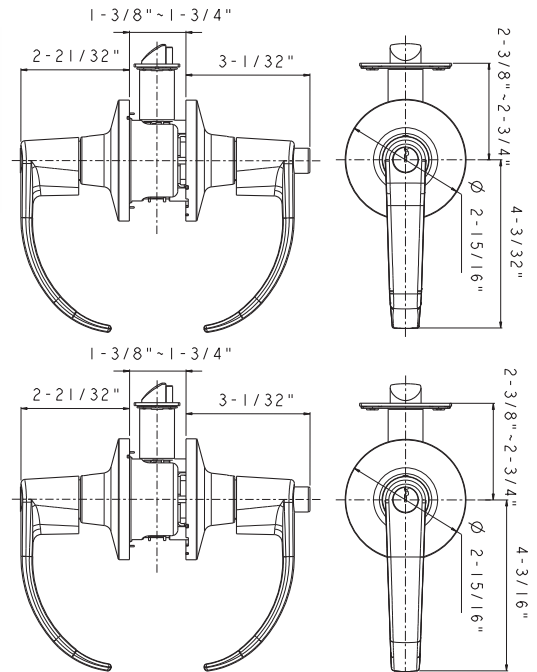
SC4 6-pin Standard  
Concealed Mounting Screws  
Fast and Easy Installation  
Panic Proof (inside always free)  
Push Button for Entrance  
and Privacy Function



500RH-CT  
Charlotte (CT) Lever



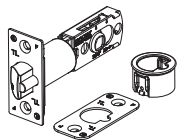
500RH-SD  
San Diego (SD) Lever



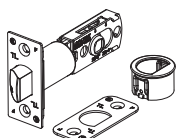
## Specifications

Door Fitting	1-3/8" ~ 1-3/4" door thick. 2" available.
Lock Chassis	Heavy gauge dichromated steel. Zinc dichromated for corrosion resistance.
Exposed Trim	Wrought brass or stainless steel. Pressure cast zinc lever.
Cylinder	Solid brass SC4 6-pins standard. KW1 5-pins optional.
Latch	1/2" throw stainless steel latch bolt 6-way adjustable latch for mortise square corner, mortise round corner, and drive-in application.
Strike	T-Strike standard (9106) ASA Strike optional (9109)
Handing	Universal, non-handing.
Screws	Combination screws for both metal and wood doors.
Keys	2 brass keys per set. Key as requested (KA, KD, MCK, MK, GMK).

## Latch & Parts



**T90A0TS**  
6-way Adjustable Dead Latch  
for 2-3/8" or 2-3/4" backset



**T90A3TS**  
6-way Adjustable Spring Latch  
for 2-3/8" or 2-3/4" backset



**1180**  
Faceplate Adapter  
Use on 1" width for  
1-1/8" width requirement

## Strike

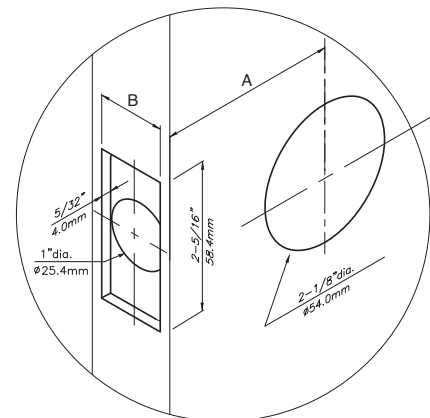


**9109 ASA Strike**  
1-1/4" x 4-7/8", 5/8" lip



**9106 T-Strike**  
1-1/8" x 2-3/4"

## Door Preparation



Backset	2-3/4"	2-3/8"
A	2-3/4"	2-3/8"
B	1-3/16"	1-1/16"

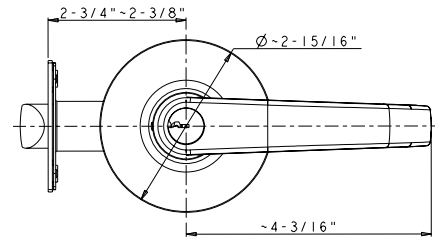
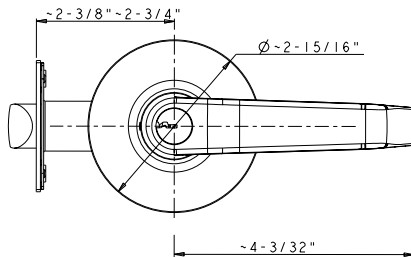
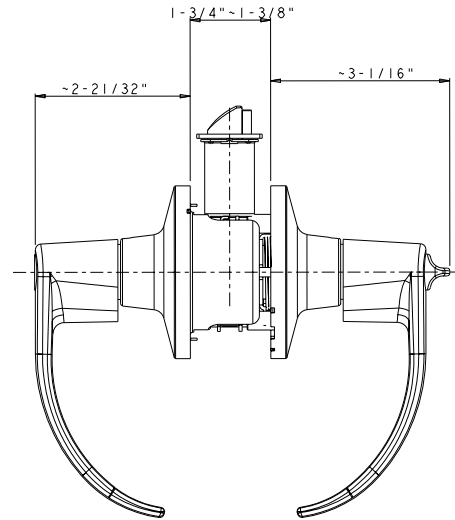
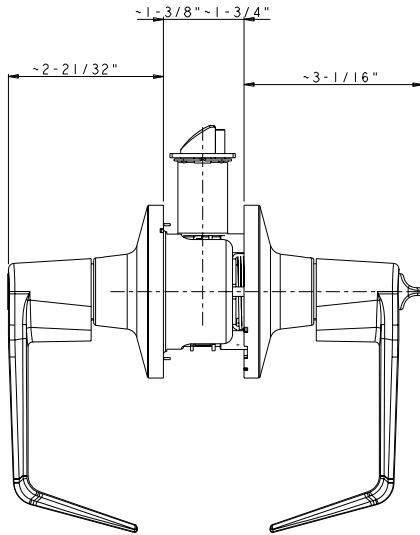
**ADVANTAGE**<sup>®</sup>  
by PHILADELPHIA HARDWARE GROUP



# RH SERIES COMMERCIAL TUBULAR LOCKSET (BOX PACK)

Not To Scale

**Grade II**



**CT**

**SD**