

# EZSET Specifications

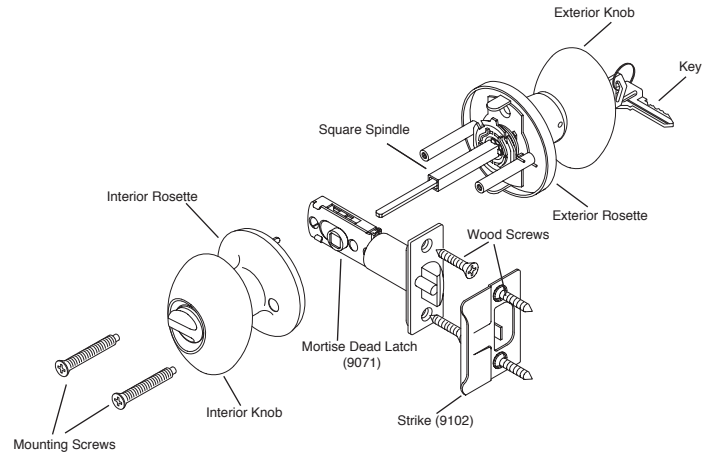


Philadelphia Hardware Group

## 100T Series Knobset Meets ANSI Grade 3 Standards

### STANDARD SPECIFICATIONS

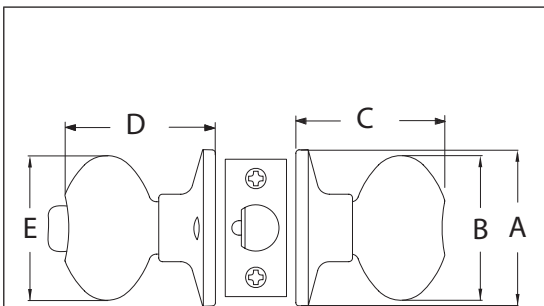
|                       |  |
|-----------------------|--|
| <b>Door Prep</b>      | Cross bore: 2-1/8".<br>Edge bore: 1".<br>Latch face" 1" x 2-1/4".  |
| <b>Backset</b>        | Fits 2-3/8" and 2-3/4" both.   |
| <b>Door Thickness</b> | 1-3/8" ~ 1-3/4" door standard.   |
| <b>Cylinder</b>       | KW1 5-pin standard.  |
| <b>Latch</b>          | Entrance: 2-3/8" and 2-3/4" adjustable. (9073)<br>Privacy/Passage: 2-3/8" and 2-3/4" adjustable. (9074)<br>Faceplate: 1" x 2-1/4" round corner.<br>Bolt: 1/2" throw. |
| <b>Strike</b>         | 1-3/4" x 2-1/4" full lip round corner. (9103)  |
| <b>Wood Screws</b>    | Combination screws that suit both wood or metal door mounting.   |



### Optional for Knob Designs

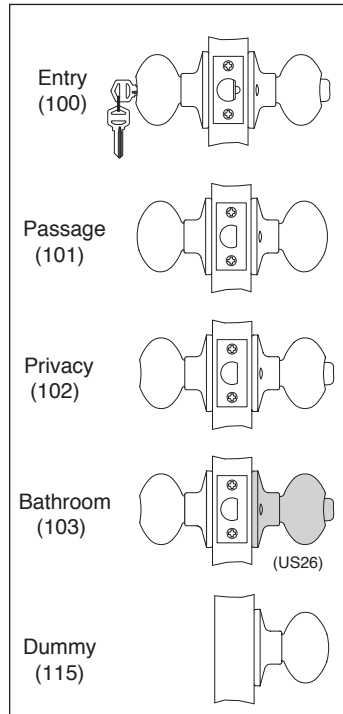


### DIMENSIONS



| DESIGN |          |          |          |          |
|--------|----------|----------|----------|----------|
|        | Ruby     | Bala     | Olympus  | Guardian |
| A      | 2-9/16"  | 2-9/16"  | 2-9/16"  | 2-9/16"  |
| B      | 2-23/64" | 2"       | 2-13/64" | 1-57/64" |
| C      | 2-7/16"  | 2-31/64" | 2-21/64" | 2-13/32" |
| D      | 2-7/16"  | 2-33/64" | 2-25/64" | 2-13/32" |
| E      | 2-23/64" | 2"       | 2-3/32"  | 1-57/64" |

### FUNCTIONS



### OPTIONS

| DESCRIPTION    | NOTE   |
|----------------|--|
| Door Thickness | Available for 2" and 2-1/4" thick door.  |
| Cylinder       | SC1 5-pin.   |
| Keying         | Keying as requested.   |
| Latches        | Entrance: Square corner (9071), Drive-in. (9075)<br>Privacy/Passage: Square Corner (9072), Drive-in. (9076)  |
| UL Latch       | Available  |
| Strikes        | 1-1/8" x 2-3/4" "T" Type. (9101)<br>1-3/4" x 2-1/4" Full Lip Square Corner. (9102)<br>1-3/4" Full Round Corner. (9108)<br>2-3/4" "T" Type Adjustable. (9125) |
| Function       | Privacy with inside free.  |
| Split Finishes | Available upon request.  |

### AVAILABLE FINISHES

| FINISH |                         | RB | BA | OS | GN |
|--------|-------------------------|----|----|----|----|
| PVD    | Lifetime Finish         |    | •  | •  |    |
| US3    | Polished Brass          | •  | •  | •  | •  |
| US5    | Antique Brass           |    | •  | •  | •  |
| US15   | Satin Nickel            | •  |    |    |    |
| US15A  | Antique Nickel (Pewter) | •  | •  | •  |    |
| US26   | Polished Chrome         | •  | •  | •  |    |
| US10B  | Oil Rubbed Bronze       | •  | •  | •  |    |
| US12P  | Tuscany Bronze          | •  | •  | •  |    |
| US32D  | Satin Stainless Steel   |    | •  | •  | •  |

\*Other finishes maybe available upon request. Please call for more information.





**EZSET.**

