

EZSET Specifications

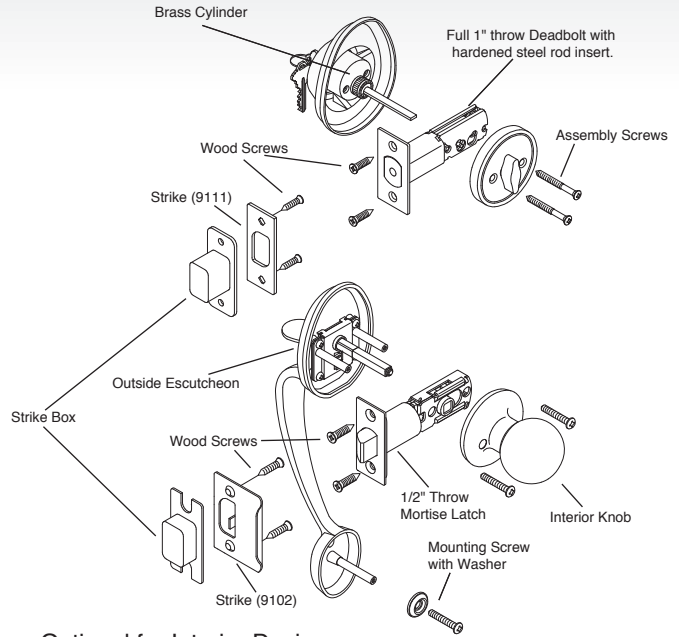
400 Series Handleset



Philadelphia Hardware Group

STANDARD SPECIFICATIONS

Door Prep	Deadbolt cross bore: 2-1/8". Handleset cross bore: 2-1/8". Edge bore: 1", Latch face" 1" x 2-1/4". *Mounting bore distance(center to center): 5-1/2".
Backset	Fits 2-3/8" and 2-3/4" both.
Door Thickness	1-3/8" ~ 1-3/4" door standard.
Cylinder	KW1 5-pin standard (Solid Brass)
Latches	Upper: 2-3/8" and 2-3/4" adjustable. (9092) Faceplate: 1" x 2-1/4" round corner. Bolt: Solid brass with hardened steel rod, full 1" throw. Lower: 2-3/8" and 2-3/4" adjustable. (9080R) (for lever and knob) Brass Lever: 2-3/8" and 2-3/4" adjustable. (9079R) Faceplate: 1" x 2-1/4" round corner. Bolt: Solid brass 1/2" throw.
Strikes	Deadbolt: 2-1/4" Full lip round corner. (9117) Thumbpiece: 2-1/4" Full lip round corner. (9103)
Wood Screws	Combination screws that suit both wood or metal door mounting.
Door Handing	Specify handing when ordering lever as interior design.



Optional for Interior Designs

Lever Designs



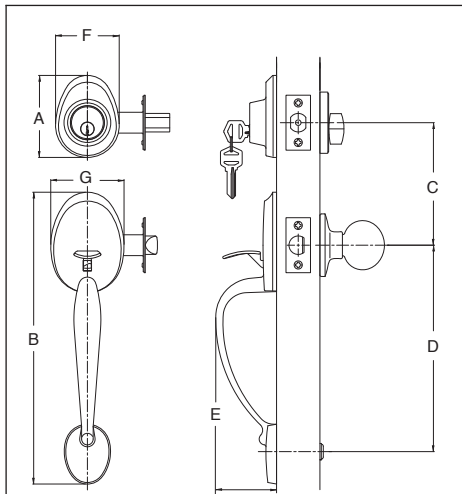
Knob Designs



Brass Lever Designs

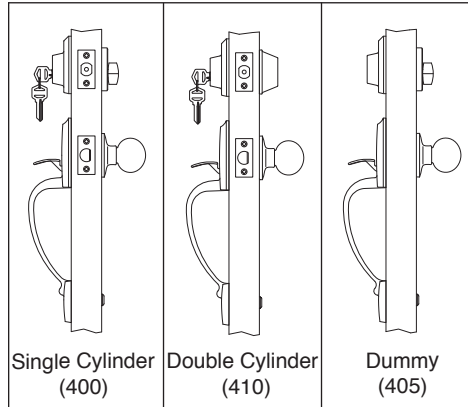


DIMENSIONS



DESIGN			
	Mayfair	Imperial	Capri
A	3-11/32"	3-35/64"	3-5/32"
B	11-29/32"	12-1/8"	11-15/64"
C	5-1/2"	5-1/2"	5-1/2"
D	8-27/64"	8-27/64"	8-27/64"
E	2-31/64"	2-31/64"	2-11/64"
F	2-19/32"	2-3/8"	2-3/8"
G	3"	2-43/64"	2-43/64"

FUNCTIONS



AVAILABLE DESIGNS

ABBREVIATION	ITEM NAME
MA	Mayfair
IM	Imperial
CA	Capri

OPTIONS

DESCRIPTION	NOTE
Door Thickness	Available for 2" and 2-1/4" thick door.
Cylinder	SC1 5-pin, SC4 6-pin.
Keying	Keying as requested.
Latches (for lever and knob)	Deadbolt: Square corner (9091), Drive-in. (9093) Thumbpiece: Square corner (9080), Drive-in. (9085) Brass lever: Square corner (9079), Drive-in. (9079C)
UL Latch	Available.
Strikes	Upper: 1-1/8" x 2-3/4" square corner. (9111) 1" x 2-1/4" square corner. (9112) 1" x 2-1/4" round corner. (9113) 1-1/4" x 3-5/8" round corner. (9119 security deadbolt strike) Lower: 1-1/8" x 2-3/4" "T" type . (9101) 1-3/4" x 2-1/4" Full Lip Square Corner. (9102) 1-3/4" Full Round Strike. (9108) 1-1/4" x 2-3/4" "T" Type Adjustable. (9125)
Split Finishes	Available upon request.

AVAILABLE FINISHES

FINISH		MA	IM	CA
PVD	Lifetime Brass	●	●	●
US3	Polished Brass	●	●	●
US5	Antique Brass	●	●	●
US15	Satin Nickel	●	●	●
US15A	Antique Nickel (Pewter)	●	●	●
US26	Polished Chrome	●	●	●
US10B	Oil Rubbed Bronze	●	●	●
US12P	Tuscany Bronze	●	●	●

*Other finishes maybe available upon request. Please call for more information.

01/01/2008

