



**Philadelphia Hardware Group, Inc.**

6590 Top Gun Street  
San Diego, CA 92121  
[www.philihardware.com](http://www.philihardware.com)

Tel

858.642.0450

858.545.2309

Fax

858.642.0454

# **KEYPAD**

## **ELECTRONIC LEVER LOCK**



### **FEATURES**

- Operate by keypad or mechanical key.
- Beeper sound while pressing number.
- Auto-locking function.
- Powered by four AA (1.5V) Alkaline batteries.
- Fits standard door prep., Cross bore: 2-1/8". No extra mounting hole required.
- One Programming Code for setting functions, up to 6 sets User Code for door access.
- High security code length 4-10 digits.
- User code can be deleted individually or all at once.
- Easy to restore default setting if owner forgot Programming Code.
- Avoid invalid code input for security protection.
- Low power consumption and low battery notification.
- LED illumination, able to operate in the dark.

**SAN DIEGO**

•

**CHICAGO**

•

**SEATTLE**



**Philadelphia Hardware Group, Inc.**

6590 Top Gun Street  
San Diego, CA 92121  
[www.philihardware.com](http://www.philihardware.com)  
Tel  
858.642.0450  
858.545.2309  
Fax  
858.642.0454

**SPECIFICATION**

**Function** Entrance

**Door Prep** Cross bore: 2-1/8"  
Edge bore: 1"

**Backset** Adjustable 2-3/8" and 2-3/4"

**Door Thickness** Fits 1-3/8" ~ 1-3/4"

**Cylinder** SC1 standard, KW1 available

**Faceplate** 1" x 2-1/4" round corner, and Drive-In.

**Strike** Standard:  
9103 – 1-3/4" x 2-1/4" full lip strike, round corner.  
Optional:  
9111 – 1-1/8" x 2-3/4" "T" type with tab

**Latch** 1/2" throw, 4-way design.  
Adjustable for 2-3/8" and 2-3/4" backset.  
Standard with Mortise round corner, can be changed to Drive-In latch.

**Door Handing** Reversible Lever.



**Easy to install**



**Keyless Access**



**Code Protection**



**Battery Powered**

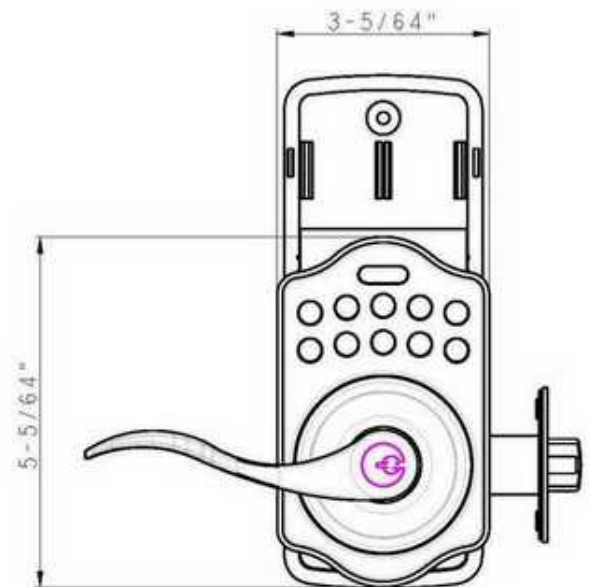
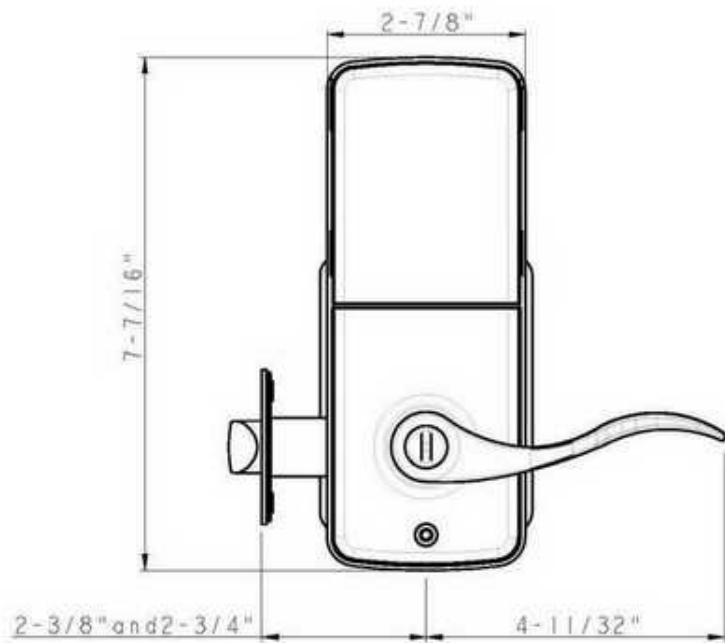
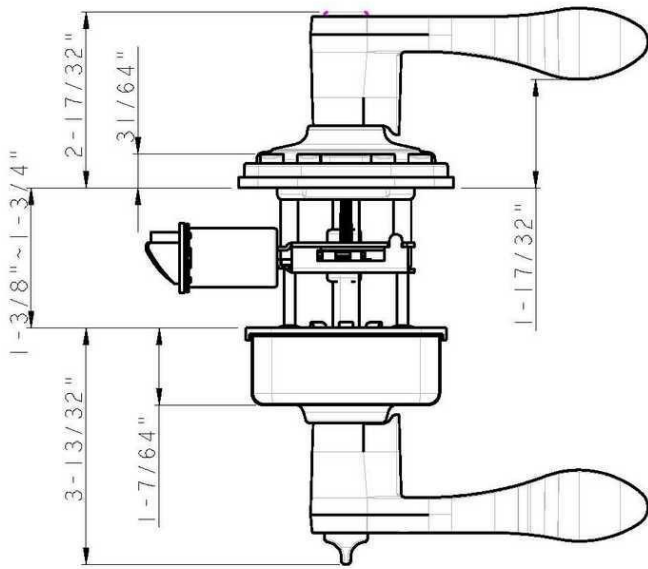


6590 Top Gun Street  
San Diego, CA 92121  
[www.philihardware.com](http://www.philihardware.com)

**Philadelphia Hardware Group, Inc.**

Tel  
858.642.0450  
858.545.2309  
Fax  
858.642.0454

## DIMENSIONS



**SAN DIEGO**

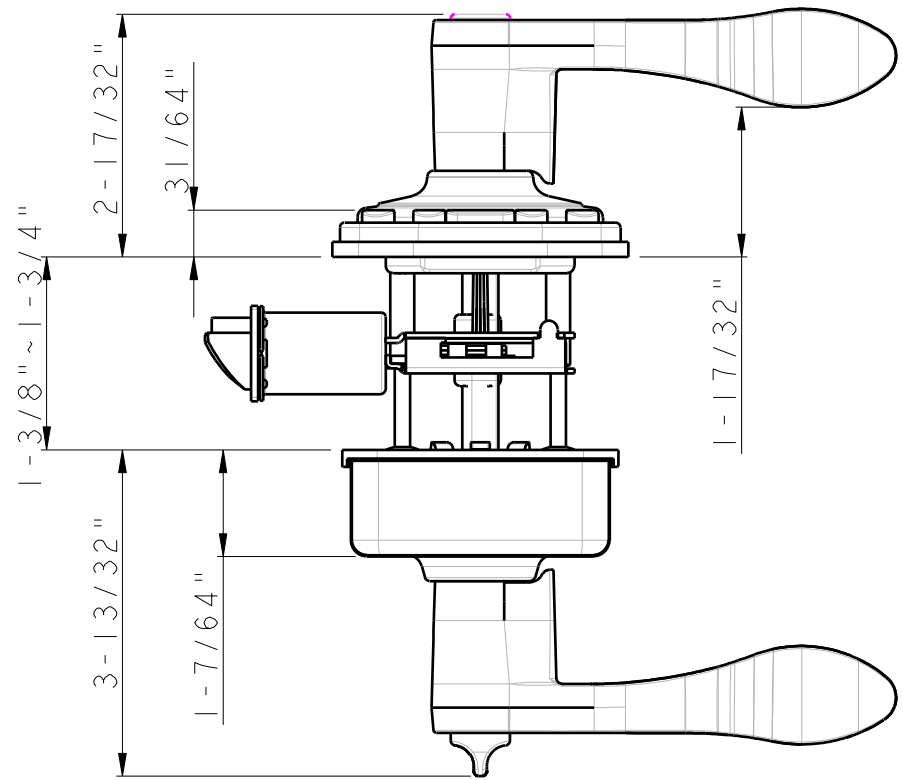
•

**CHICAGO**

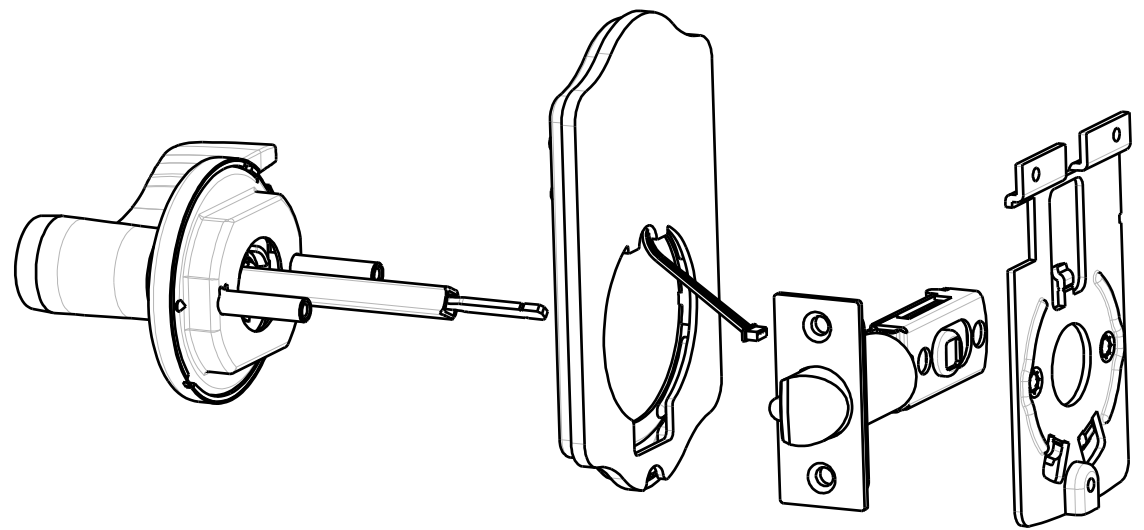
•

**SEATTLE**

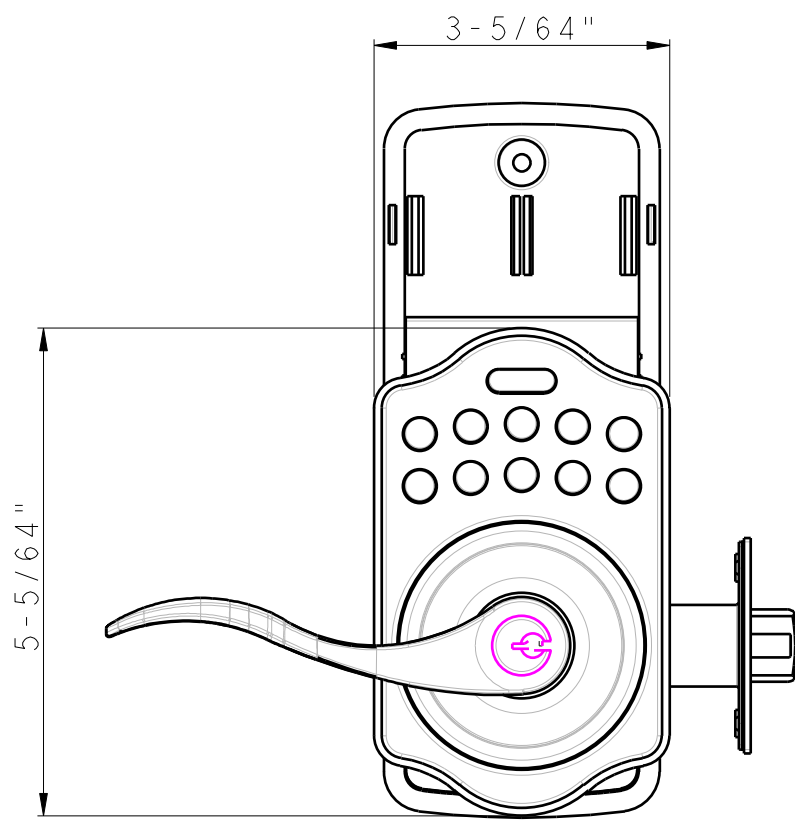
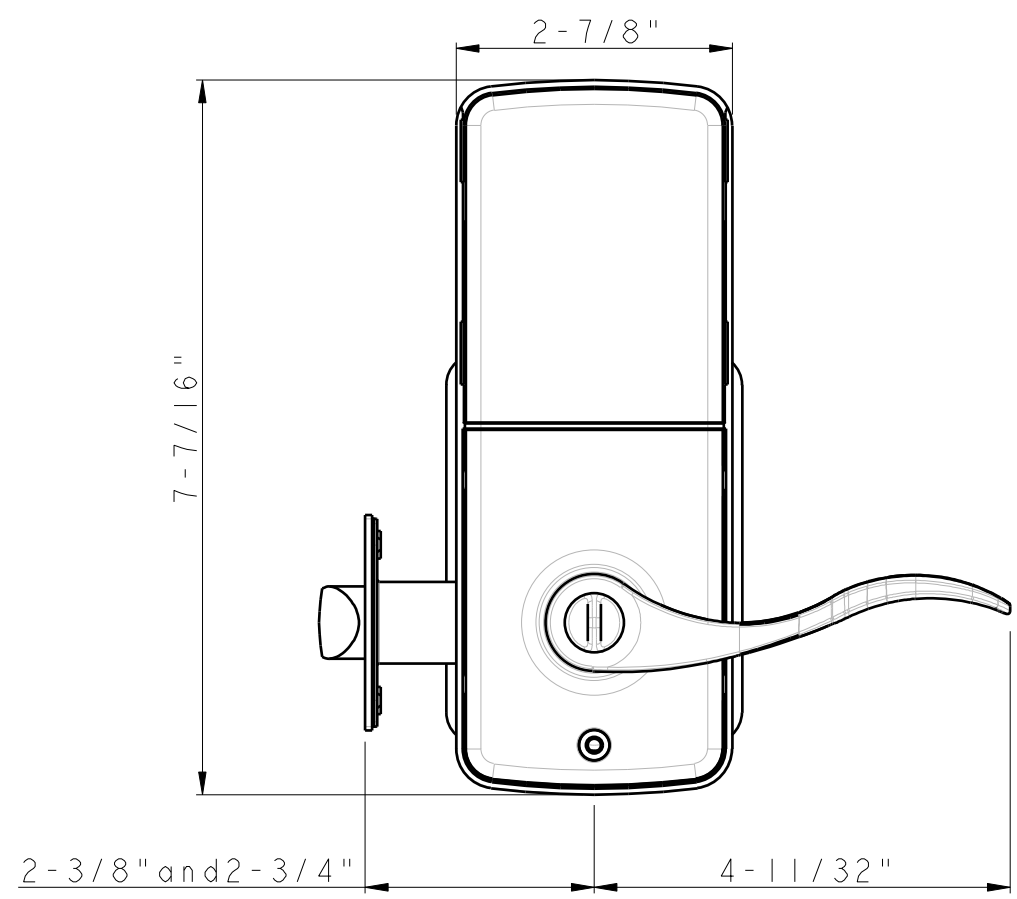
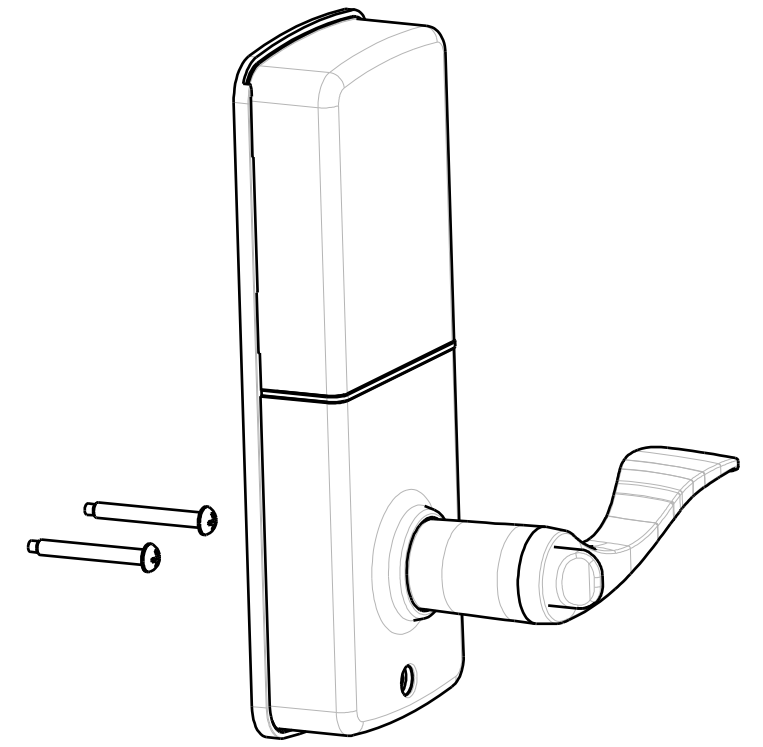
A B C D E F G H I J

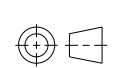


刻度 1/2



刻度 1/2



審核:	No: 2	修正日期:	DATE RVS.:
APRV:	No: 1	修正日期:	DATE RVS.:
製圖:	No: 0	製表日期:	ESTB.:
DWN:			
 <b>東隆五金工業股份有限公司</b> TLM INDUSTRY CO., LTD.			

1  
2  
3  
4  
5  
6