

ENTRANCE HANDLESET INSTALLATION INSTRUCTIONS

THIS INSTRUCTIONS IS PREPARED TO PROVIDE YOU INFORMATION ON HOW TO INSTALL YOUR LOCK PROPERLY. READ THIS INSTRUCTION CAREFULLY BEFORE ATTEMPTING TO INSTALL LOCK.

BEFORE PROCEEDING:

- CHECK BACKSET OF YOUR LOCK**
BACKSET OF YOUR LOCK IS INDICATED ON PACKAGING BOX, 2-3/8" OR 2-3/4" SOME MODELS ARE SUPPLIED WITH ADJUSTABLE LATCH.
- CHECK BACKSET OF YOUR DOOR**
BACKSET IS A DISTANCE MEASURED FROM DOOR EDGE TO CENTER OF LOCK, EITHER 2-3/8" OR 2-3/4".

- MATCH BACKSET OF YOUR LOCK WITH BACKSET OF YOUR DOOR**
MAKE SURE YOUR LOCK HAS SAME BACKSET SIZE AS YOUR DOOR. FOR LOCK SUPPLIED WITH ADJUSTABLE LATCH, YOU MAY ADJUST THE BACKSET IF NECESSARY ACCORDING TO STEP 1 IN THIS INSTRUCTIONS.

TOOL REQUIRED FOR NEW INSTALLATION:

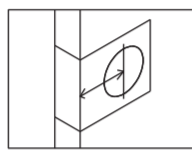
- PHILLIPS HEAD SCREWDRIVER
- 3/8" ELECTRIC POWER DRILL
- 2", 1", 1-5/8" AND 3/8" DRILL BITS
- 1" CHISEL
- HAMMER

TOOL REQUIRED FOR REPLACEMENT INSTALLATION:

- PHILLIPS HEAD SCREWDRIVER

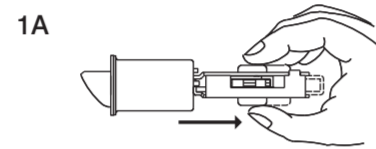
FOR USE ON DOORS 1-3/8" TO 2" (35mm~51mm) THICKNESS

1. LATCH BACKSET ADJUSTMENT

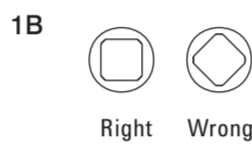


Before proceeding:
Backset is the distance from the door edge to the center of lock, either 2-3/8" or 2-3/4" (60mm or 70mm). Your latch backset was preset at the factory for 2-3/8" (60mm) backset. If 2-3/4" (70mm) backset is required follow the adjustment instructions in Step 1A for latch and in 1D for deadbolt. If 2-3/8" (60mm) backset is required.

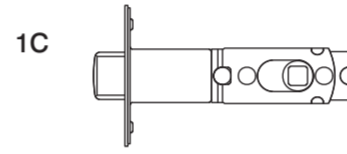
Latch Backset Adjustment :



1A. If 2-3/4" (70mm) backset is required, pull spindle cam all the way to the right edge of adjusting hole.

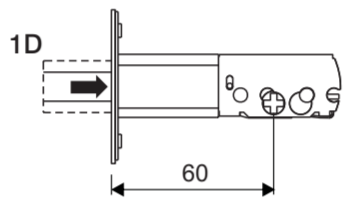


1B. Be sure the 2-3/4" (70mm) cam hole is properly aligned.

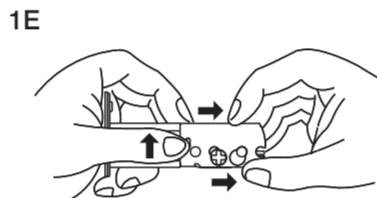


1C. Your latch is now set for 2-3/4" (70mm) backset.

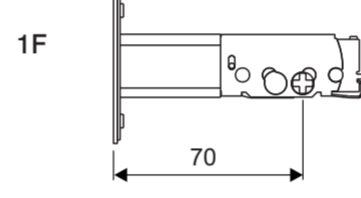
Deadlock Backset Adjustment :



1D. If 2-3/4" (70mm) backset is required, rotate latch cam to retract the latch bolt to the unlock position.



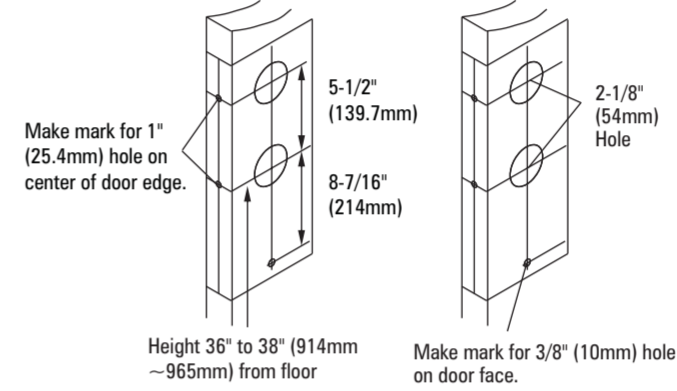
1E. Push the change button up. Hold torque plate and torque spring, pull extension plate all the way out.



1F. Your latch is now set for 2-3/4" (70mm) backset.

2. MARK DOOR

Use template enclosed to mark holes on door face.

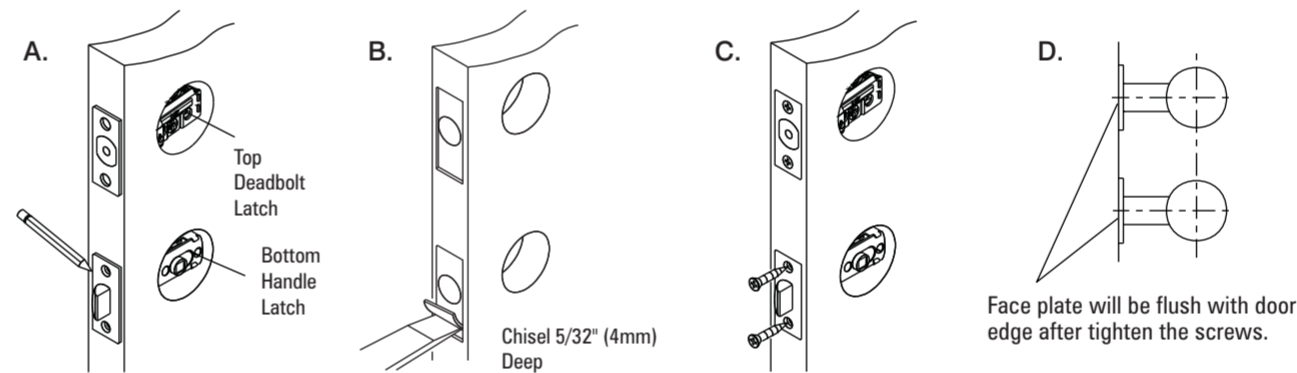


3. DRILL HOLES

- Drill 2-1/8" (54mm) holes from both sides of door to avoid splintering.
- Drill 1" (25.4mm) latch hole in door edge.
- Drill 1" (25.4mm) deadbolt hole 3-3/4" (95.26mm) deep.
- Drill 3/8" (10mm) hole for exterior handle mounting screw.

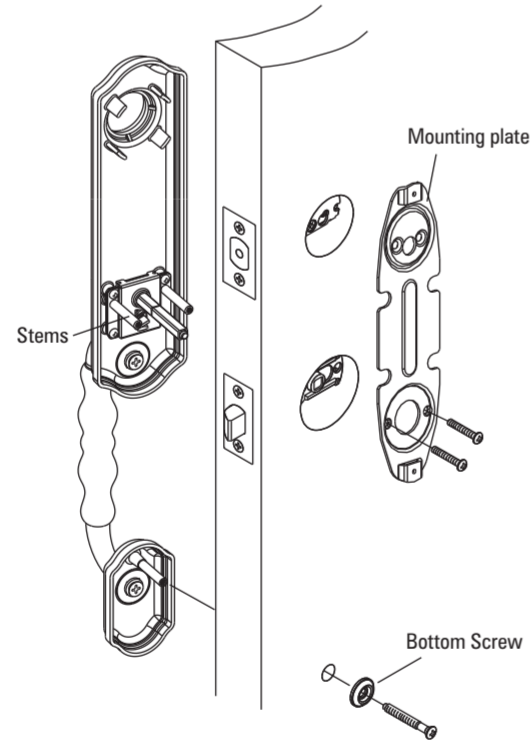
4. INSTALL LATCHES

- Insert latches in holes, keeping parallel to edge of door. Mark outline and remove latch.
- Chisel 5/32" (4mm) deep or until latch face is flush with door edge. Note: cut out must be parallel to edges of door.
- Insert bottom latch and secure with wood screws.
- Repeat procedure for top deadbolt latch. Note: watch the up mark stamped on deadbolt latch.



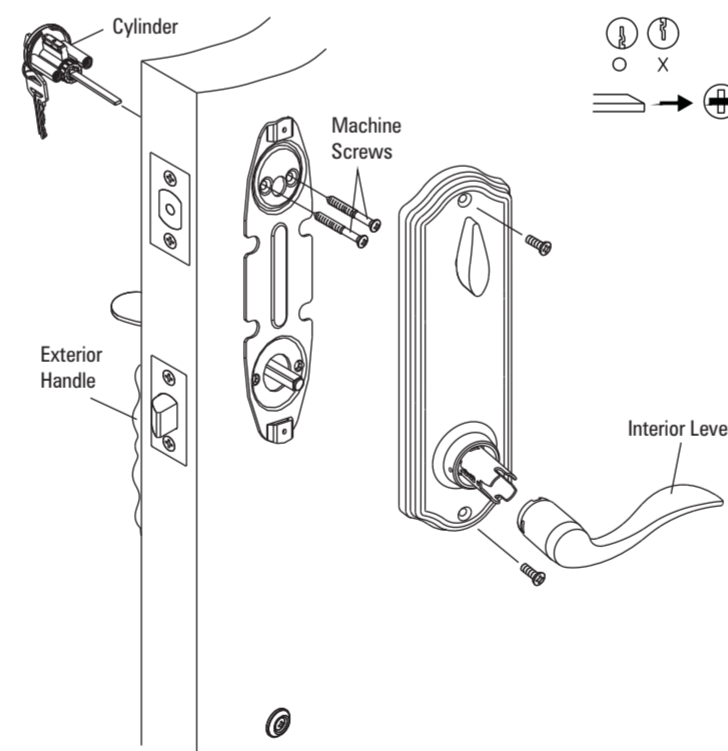
5. INSTALL EXTERIOR HANDLE

Place exterior handle with stems and torque spindle into latch as shown. Press tightly against door face and fix with inside mounting plate by screws as below.



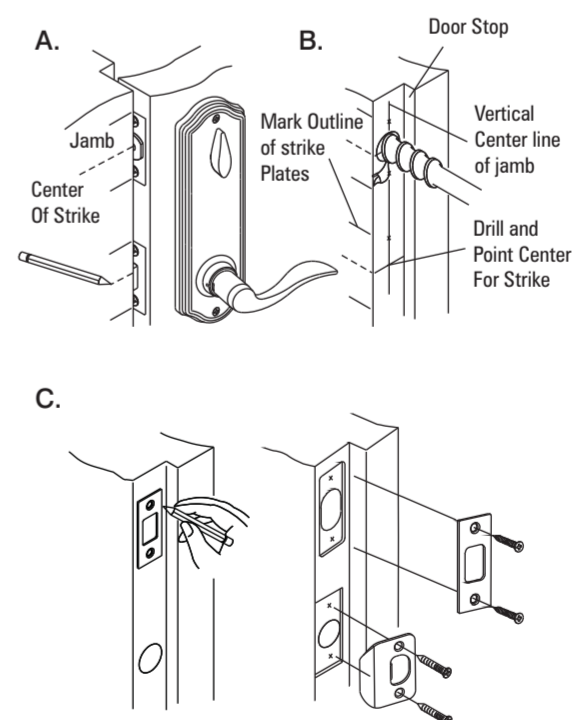
7. INSTALL INTERIOR MECHANISM

Put the cylinder tailpiece horizontally and get through the latch hole as illustration, then tighten the machine screws to fix. Secure and fasten the install interior mechanism firmly through the screws respectively as shown in figure.

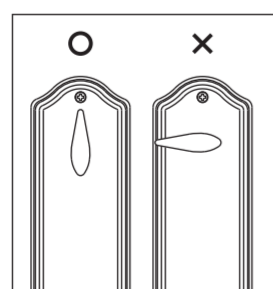


8. INSTALL STRIKEPLATES

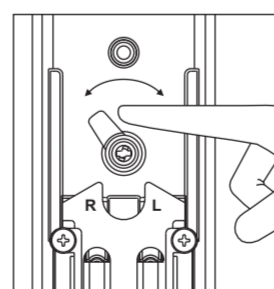
- Close door until latch bolt touches door jamb to locate strike placement. Mark horizontal centerline of strike parallel with the center of the latch bolt.
- Measure one half of door thickness from door stop and mark for the vertical centerline of strike. Drill aperture which is same as strike box 1-9/64" (29mm) deep at intersection of horizontal and vertical center line of strike.
- Match screw holes on strike with centerlines on jamb. Mark outline of strike plate and chisel out until strike is flush with jamb.



6. CAM DIRECTION SETTING PROCEDURE



Install the mounting plate on the door with screws. Turn the turn-piece to a vertical position.



Switch the Cam position, and point to the latch bolt on your door. Caution: Be sure the cam is turned to the correct position. If the cam is set to the wrong position, the latch could not be retracted completely.