



Philadelphia Hardware Group Inc.

6590 Top Gun Street
San Diego, CA 92121
www.philihardware.com

Tel
858.642.0450
858.545.2309
Fax
858.642.0454

400TP Series Thumbpiece Trim

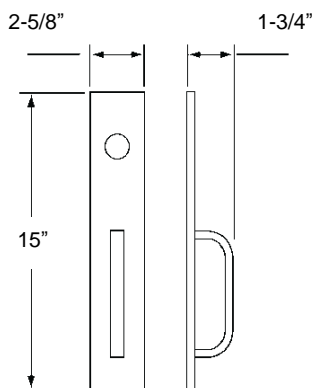
FEATURES

- Design to use with Exit Device.
- Standard for 1-3/4", 2" & 2-1/4" door thick.
(Tailpiece can cut to fit door thick required)
- Hardened steel heavy duty tailpiece.

SPECIFICATIONS

Exposed Trim	Wrought steel or stainless steel plate. Pressure cast zinc pull handle.
Cylinder	Solid brass SC4 6-pins standard. BEST profile SFIC 6-pins and 7-pins.
Finishes	Aluminum, Duro, and US32D.
Function	400TP (ANSI 05) Entrance 404TP (ANSI 06) Night Latch 401TP (ANSI 15) Passage 415TP (ANSI 02) Dummy

DIMENSION



400TP Aluminum



400TP-IC Core
Aluminum



401TP Aluminum

SAN DIEGO

CHICAGO

ATLANTA