

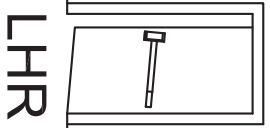
TEMPLATE OF

8800 / F8800 RIM DEVICE (1:1)

FOLD THIS LINE AND PLACE THIS EDGE AGAINST FACE OF STOP

17.6mm (1/4")
57.15mm (2 1/4")

17.6mm (1/4")

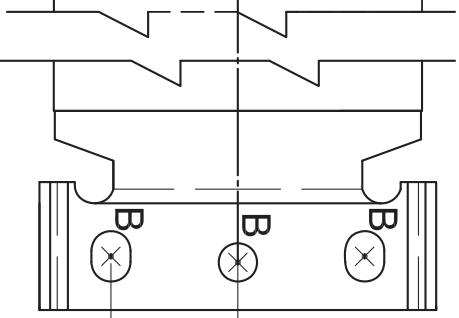


LHR

FOR LEVER TRIM MOUNTING
FOR EXTERIOR ACCESS BY LEVER/KNOB TRIM DRILL
IF EXTERIOR ACCESS BY RIM CYLINDER DRILL
31.8mm (1 1/2") DIAMETER HOLE

FOR SEX BOLT DRILL
9.6mm (3/8") HOLE OUTSIDE
FOR LEVER TRIM MOUNTING
IF EXTERIOR ACCESS BY LEVER/KNOB TRIM DRILL
54mm (2 1/8") DIAMETER HOLE
IF EXTERIOR ACCESS BY RIM CYLINDER DRILL
31.8mm (1 1/2") DIAMETER HOLE

17.9mm (5/8")



Q of Device

1041mm (41") FROM FINISHED FLOOR CENTER LINE OF PUSH RAIL

This mounting hole is NO NEEDED if there is NO OUTSIDE TRIM application

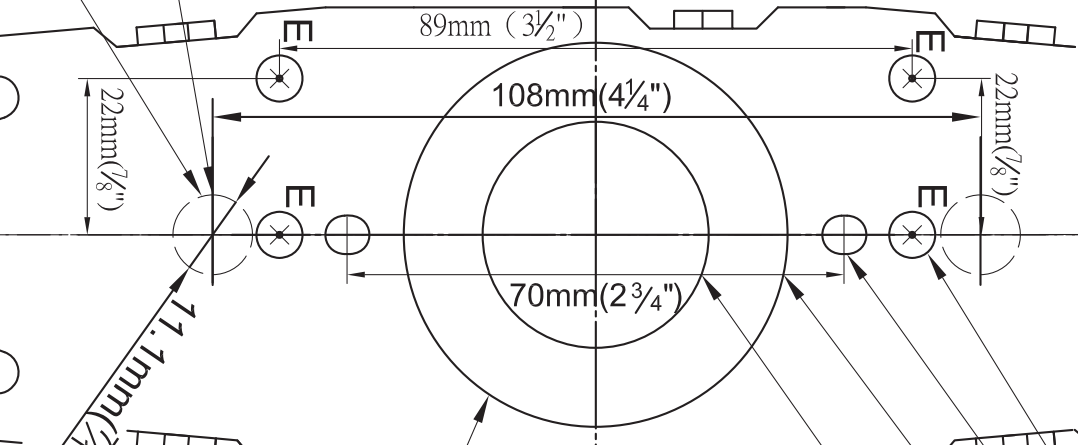
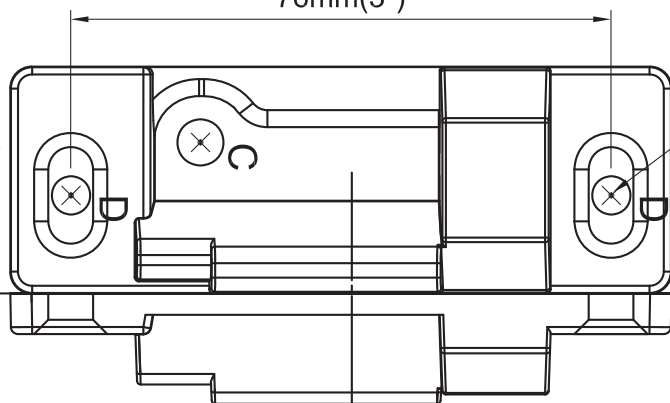
These special two labeled holes are designed for installation of specified outside trim, please DO NOT drill the holes on door if the out trim is not needed.

for Security Plate mounting

STRIKE

TAPPED 12# HOLES*3

76mm (3")



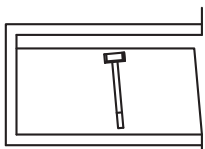
11.1mm (7/16")*2

22mm (7/8")

89mm (3 1/2")

108mm (4 1/4")

70mm (2 3/4")



RHR