

Installation Instructions

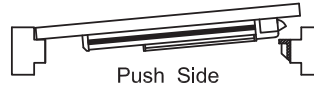
8800 Rim Device

※ The screws (item C & D), attach both machine & tapping screws for install selection in the accessory package. (Item B & E) changed to TEK screws (self-drilling screws) since 2014, May.

How to determine hand of door

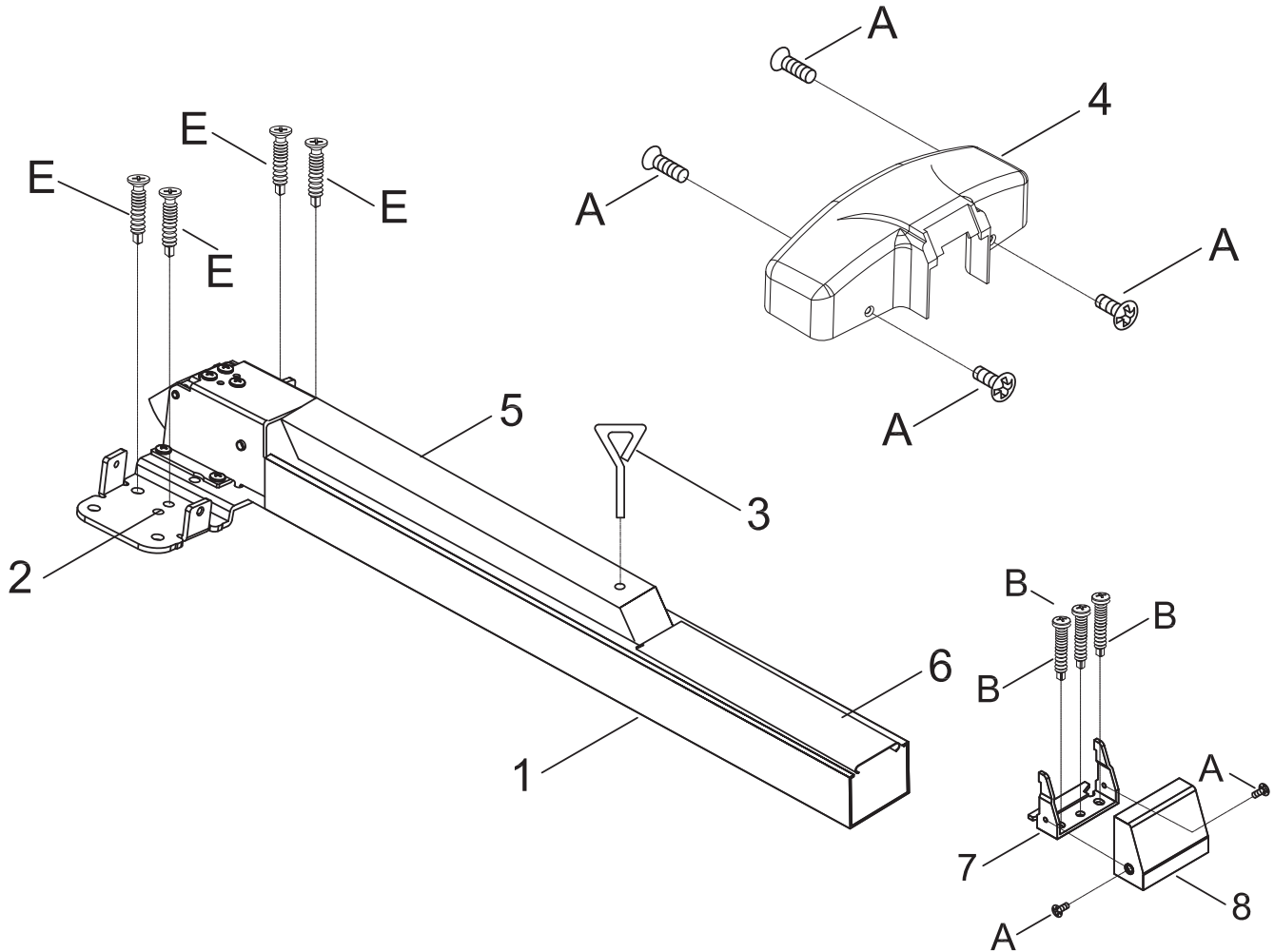
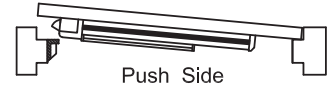
Right - Hand Reverse Bevel (RHR)

Outside



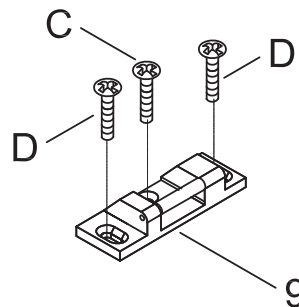
Left- Hand Reverse Bevel (LHR)

Outside



PARTS LIST

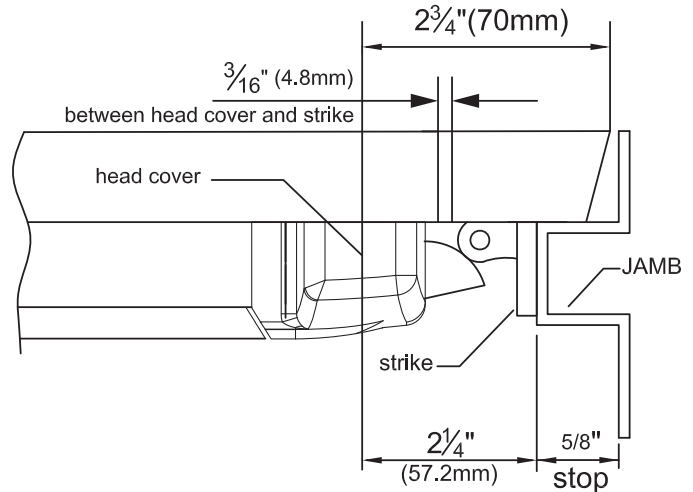
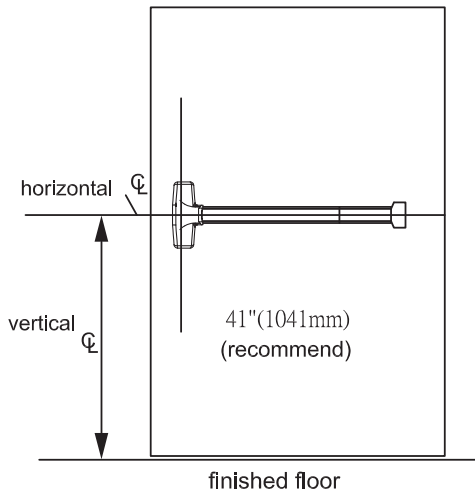
ITEM	DESCRIPTION	Q'ty	Material
1	MOUNTING RAIL	1	Steel
2	CHASSIS ASS'Y	1	Steel
3	ALLEN KEY	1	Steel
4	HEAD COVER	1	Zinc/S304
5	PUSH RAIL	1	Steel/S304
6	SLIDING SHIM	1	Steel/S304
7	BRACKET	1	Steel
8	END CAP	1	Steel/S304
9	STRIKE	1	S304
A	SM4X8 FLAT HEAD SCREWS	6	S304
B	10#1¼" TEK SCREWS(ROUND HEAD)	3	Steel
C	12#X¾" FLAT HEAD SCREWS	1	Steel
D	12#X⅝" ROUND HEAD SCREWS	2	Steel
E	10#1¼" TEK SCREWS(FLAT HEAD)	4	Steel



8800&F8800 Rim Device

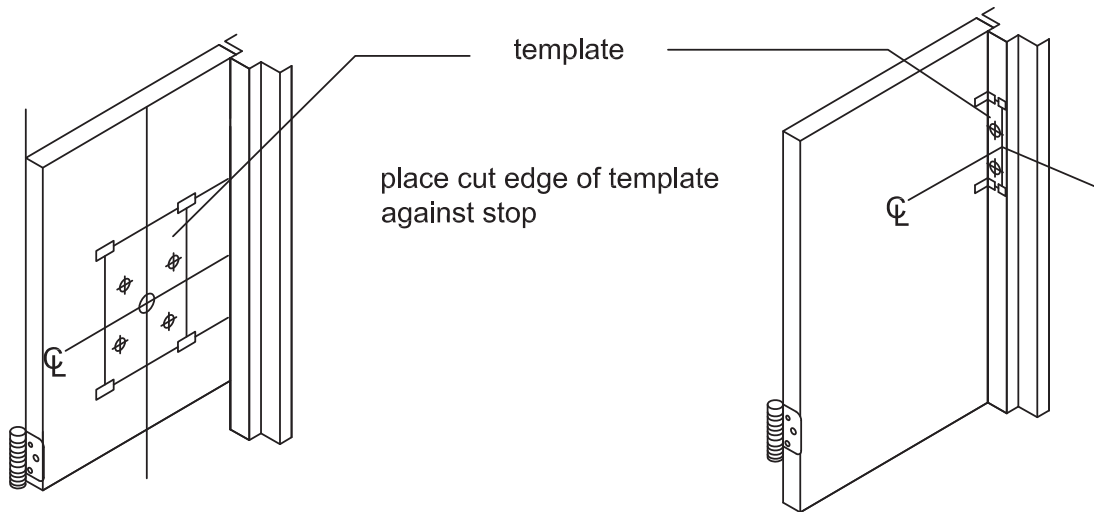
STEP 1 MARK CENTER LINES

If necessary, add strike shim kit under strike for $\frac{3}{16}$ " (4.8mm) as dimension shown



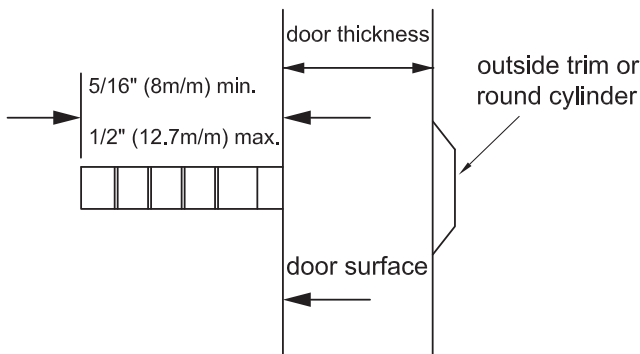
STEP 2 PREPARE INSTALLATION:

※ RHR shown
(LHR opposite)



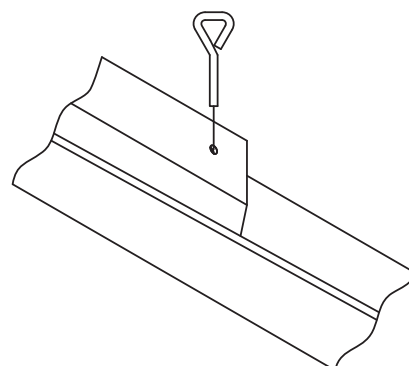
NOTICE 1 : TAILPIECE LENGTH

Keep tailpiece $\frac{5}{16}$ "~ $\frac{1}{2}$ " (8~12.7m/m) projected.



NOTICE 2 : DOGGING (FOR NON-FIRE RATED)

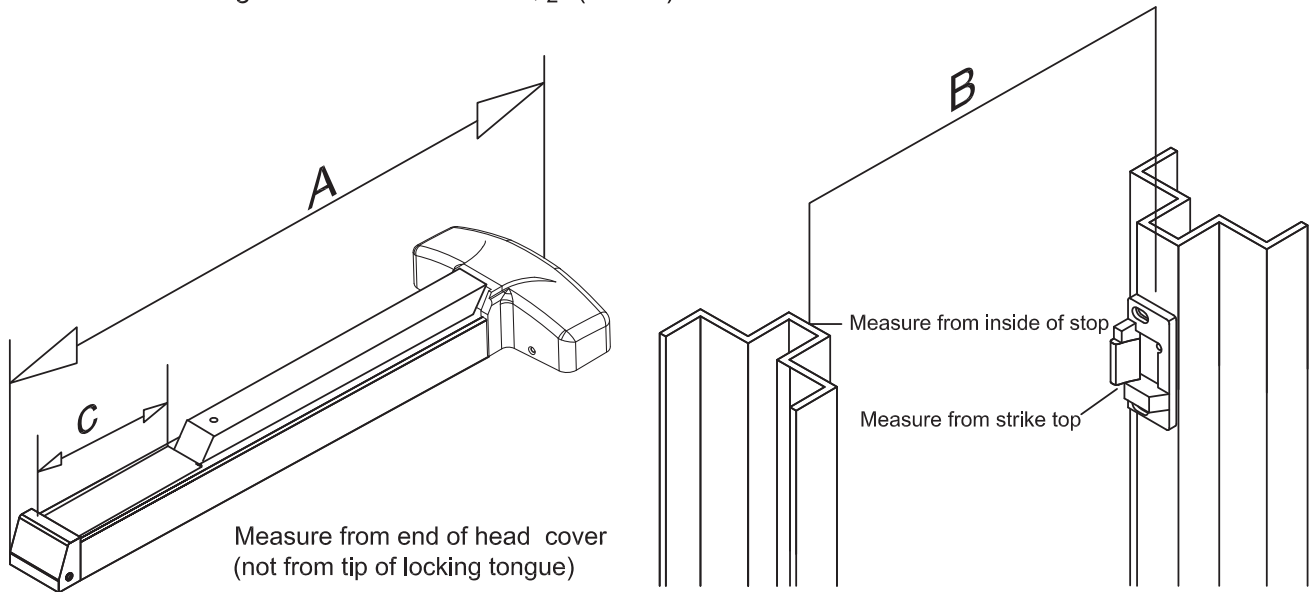
To press down the push rail, turn the hex allen key clockwise or counterclockwise. The device will change the function to "Passage".



8800&F8800 Rim Device

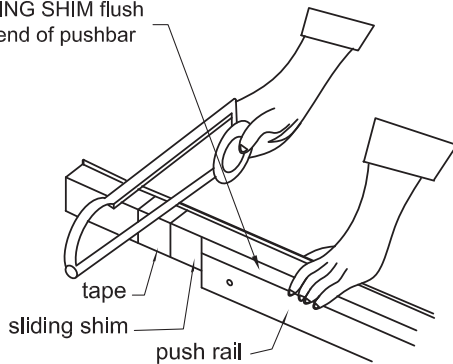
STEP 3 CUT DEVICE IF NECESSARY

3.1 Device length A must be at least 1½" (38mm) shorter than B



3.2 If necessary cut device so A is at least 1½" (38mm) shorter than B °

SLIDING SHIM flush with end of pushbar



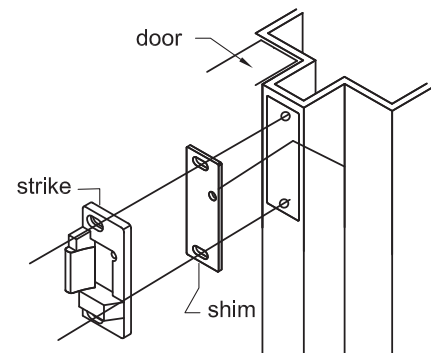
NOTE: the minimum length of the sliding shim must be 1"(25.4mm) or longer than dimension "c" on the above illustration.

3.3 Standard Door Stop is 5/8"(15.9mm).

Install 1/8"(3mm) thick shim if necessary

(1) 1/8"(3mm) shim for prepared doors with 1/2" (12.7mm) stop.

(2) Shim always furnished as standard part of package, which is mounted beneath strike.

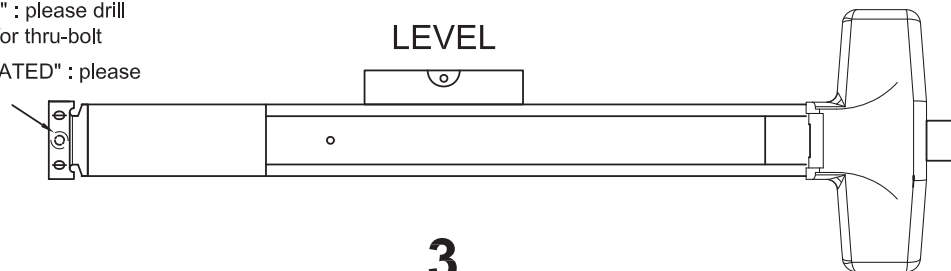


STEP 4 : MOUNTING DEVICE

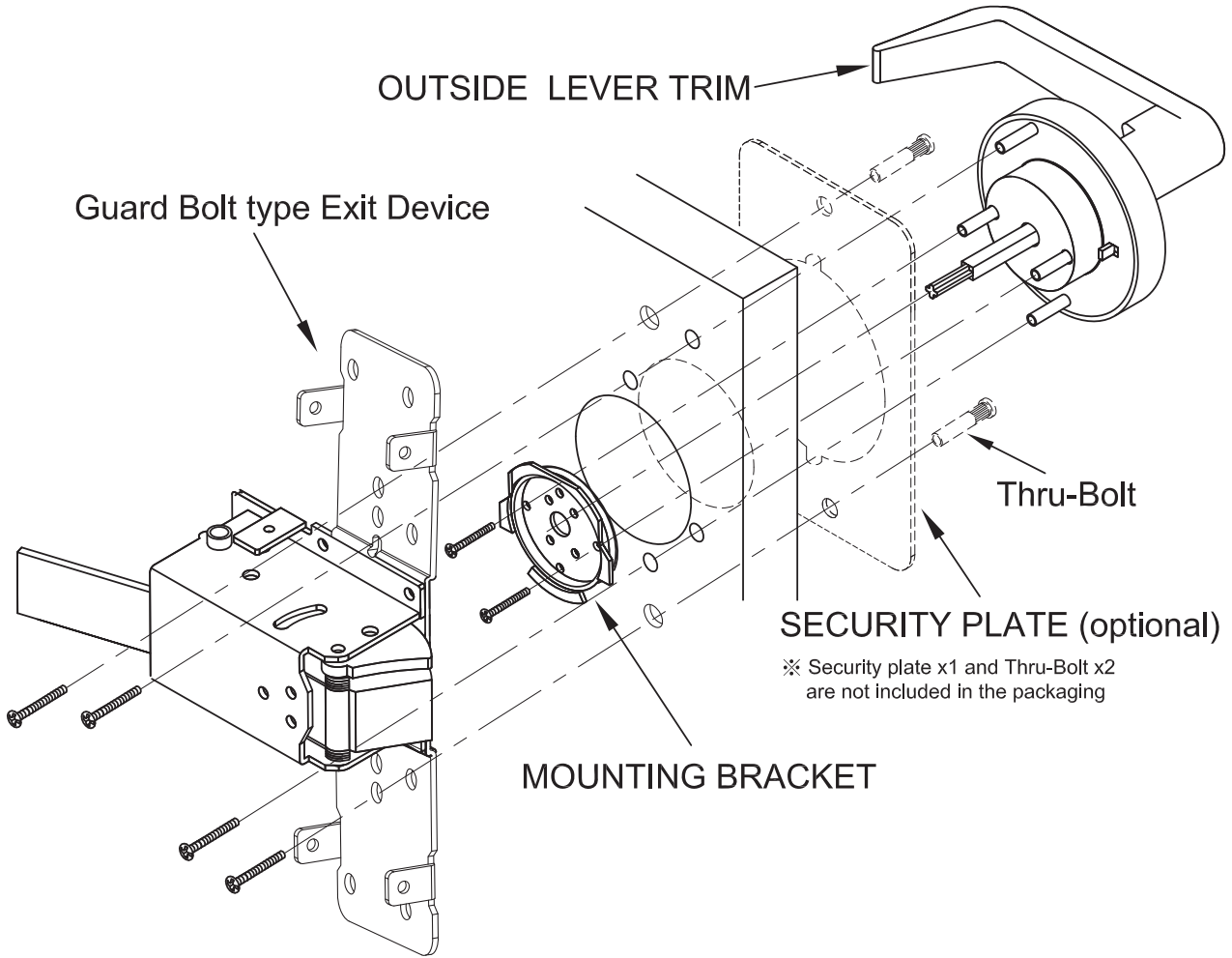
1. Take off head cover and then put device horizontally at the door. Fix screws (B) on chassis but DO NOT tighten them at this step.
2. Install bracket. Be sure to remain device being horizontal and then tighten all screws.
3. Install end cap & head cover.

※ for "FIRE RATED" : please drill Ø3/8"(9.6mm) hole for thru-bolt

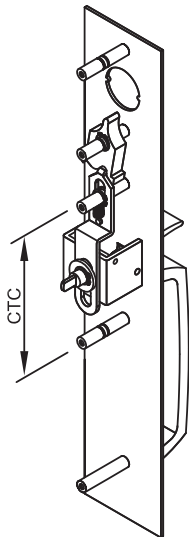
※ for "NON-FIRE RATED" : please use screw C directly



Apply TRIM + CHASSIS - 8800 & F8800 series

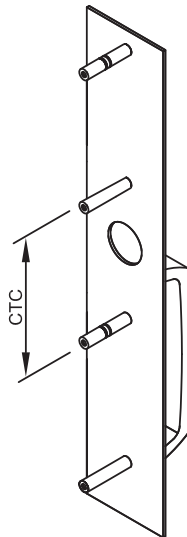


Thumbpiece trim



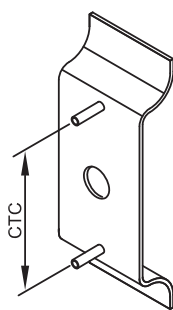
CTC = 4-1/4" (108mm)

Pull trim



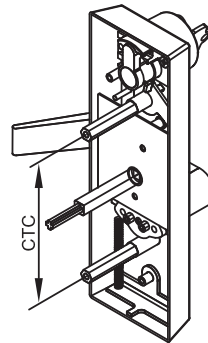
CTC = 4-1/4" (108mm)

Outside Plate trim



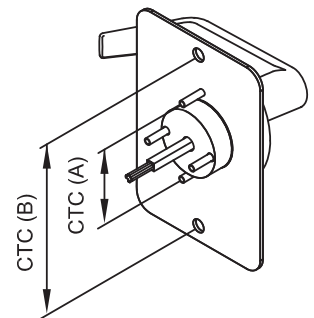
CTC = 4-1/4" (108mm)

ESC lever trim



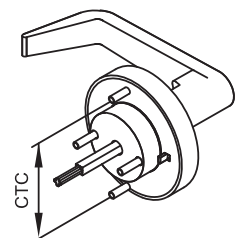
CTC = 4-1/4" (108mm)

Trim with security plate



CTC (A) = 2-3/4" (70mm)
CTC (B) = 4-1/4" (108mm)

Trim w/o security plate



CTC = 2-3/4" (70mm)