

# EZSET Specifications

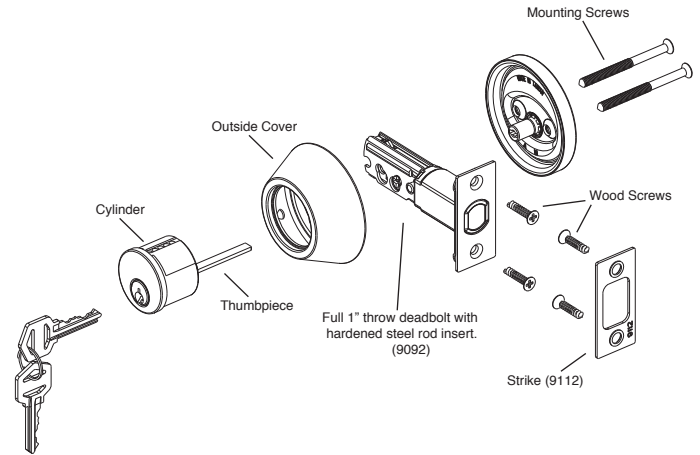


Philadelphia Hardware Group

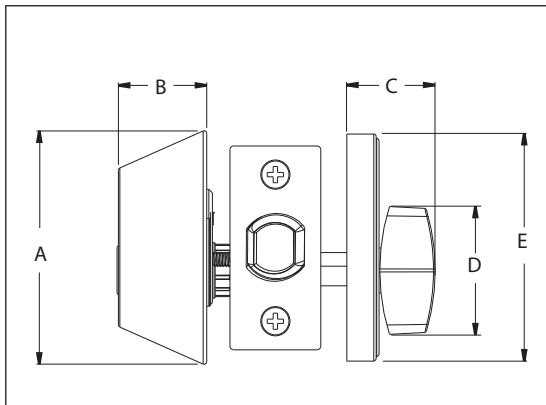
## 200B Series Deadbolt Meets ANSI Grade 3 Standards

### STANDARD SPECIFICATIONS

<b>Door Prep</b>	Cross bore: 2-1/8". Edge bore: 1". Latch face" 1" x 2-1/4". <b>*Mounting bore for 205B is 1-3/4"</b>
<b>Backset</b>	Fits 2-3/8" and 2-3/4" both.
<b>Door Thickness</b>	1-3/8" ~ 1-3/4" door standard.
<b>Cylinder</b>	KW1 5-pin standard.
<b>Latch</b>	Full 1" throw bolt, adjustable for 2-3/8" and 2-3/4" backset. Faceplate: 1" x 2-1/4" round corner. (9092) Bolt: Stainless steel with hardened steel rod insert.
<b>Strike</b>	1-3/4" x 2-1/4" full lip round corner. (9117)
<b>Wood Screws</b>	Combination screws that suit both wood or metal door mounting.



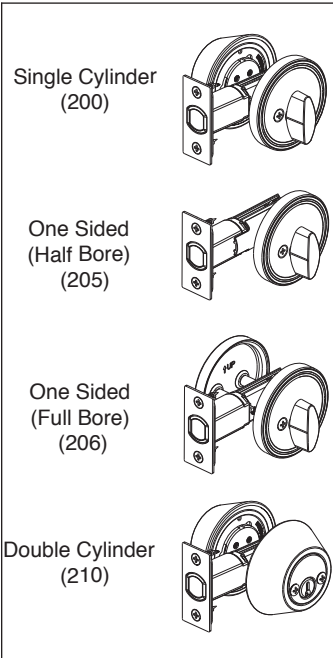
### DIMENSIONS (Single Cylinder)



#### DESIGN

	Single Cylinder	Half Bore	Full Bore	Double Cylinder
A	2-9/16"	NA	2-1/2"	2-9/16"
B	15/16"	NA	11/32"	15/16"
C	1"	1"	1"	15/16"
D	1-27/64"	1-27/64"	1-27/64"	NA
E	2-1/2"	2-1/2"	2-1/2"	2-9/16"

### FUNCTIONS



### OPTIONS

DESCRIPTION	NOTE
Door Thickness	Available for 2" and 2-1/4" thick door.
Cylinder	SC1 5-pin.
Keying	Keying as requested.
Latches	Square corner (9091), Drive-in (9093)
UL Latch	Available
Strikes	1-1/8" x 2-3/4" square corner. (9111) 1" x 2-1/4" square corner. (9112) 1" x 2-1/4" round corner. (9113) 1-1/4" x 3-5/8" round corner. (9119 security deadbolt strike)
Split Finishes	Available upon request.

### AVAILABLE FINISHES

FINISH		200	205	206	210
PVD	Lifetime Brass	•			•
US32D	Satin Stainless Steel	•	•	•	•
US3	Polished Brass	•	•	•	•
US5	Antique Brass	•	•	•	•
US15	Satin Nickel	•	•	•	•
US15A	Antique Nickel (Pewter)	•	•	•	•
US26	Polished Chrome	•			•
US10B	Oil Rubbed Bronze	•	•	•	•
US12P	Tuscany Bronze	•	•	•	•

\*Other finishes maybe available upon request. Please call for more information.

