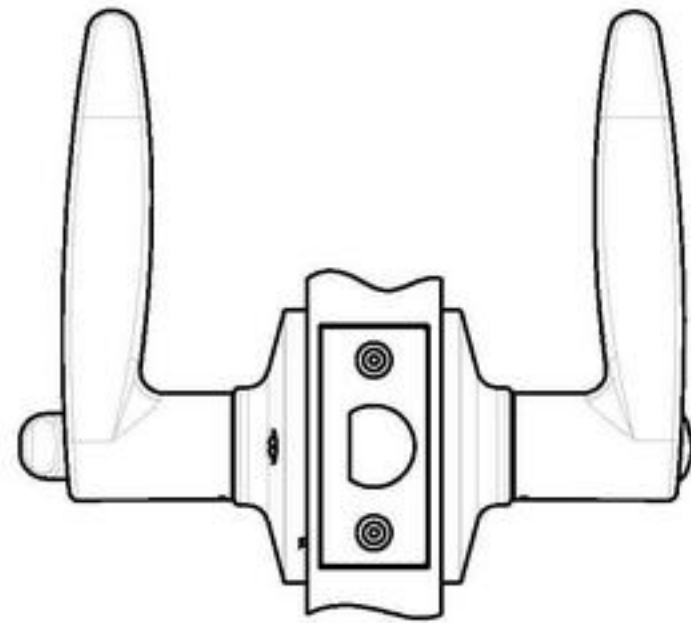
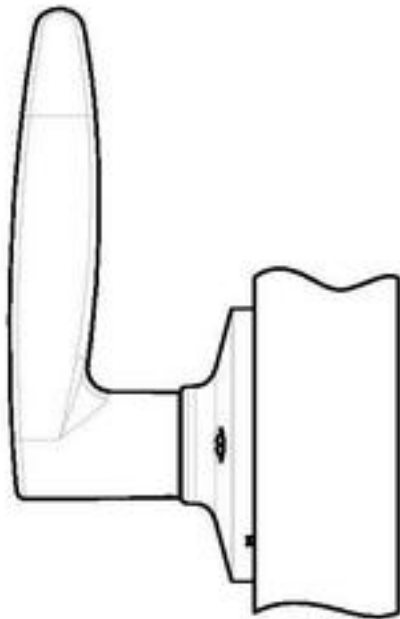


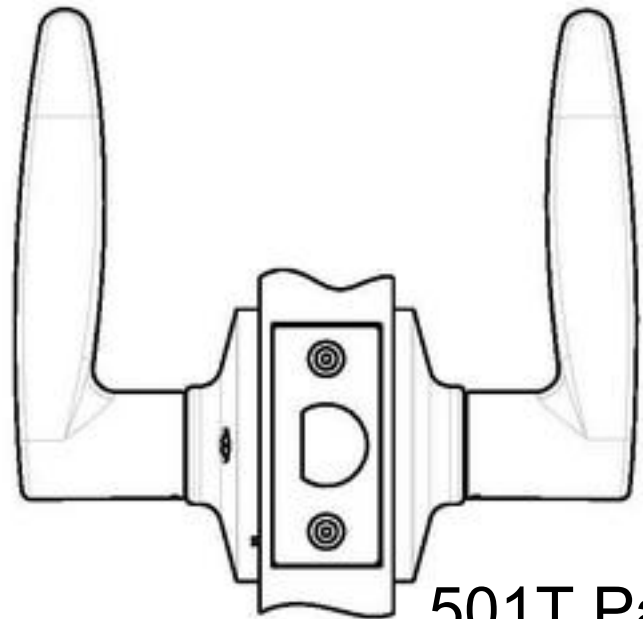
500T Entrance



502T Entrance



515T Dummy



501T Passage