



**Philadelphia Hardware Group, Inc.**

6590 Top Gun Street  
 San Diego, CA 92121  
[www.philihardware.com](http://www.philihardware.com)

Tel  
 858.642.0450  
 858.545.2309  
 Fax  
 858.642.0454



# 500T Series

**GRADE 3  
 SHELBY**

## SPECIFICATIONS



**500T-SY-US15  
 Entrance**

Door Prep	Cross bore: 2-1/8" Edge bore: Edge Bore: 1" Latch Face: 1" x 2-1/4"
Backset	Fits both 2-3/8" and 2-3/4".
Door Fitting	1-3/8" ~ 1-3/4" door thick. Special order for 2" door thick.
Exposed Trim	Zinc or Stainless steel. Lever is zinc alloy.
Keys	Key as requested (KA, KD, MCK, MK, GMK).
Cylinder	KW1 standard, SC1 optional.
Latch	2-3/8" and 2-3/4" adjustable Bolt: 1/2" throw. Faceplate: 1" x 2-1/4" round corner.
Strike	Full lip 1-3/4" x 2-1/4" round corner (9103).
Door Handing	Reversible, suitable for both right and left hand door.
Function	500T – Entrance 501T – Passage 502T – Privacy 515T – Single Dummy   500TP – Entrance with Panic-proof Push Button 502TP – Privacy with Panic-proof Push Button
Finish	Stock Finish: US15 Satin Nickel US12P Tuscany Bronze. Special order for US3, US10B, US15, US26, US26D Subject to minimum order quantity and longer delivery lead-time.

SAN DIEGO

•

CHICAGO

•

ATLANTA

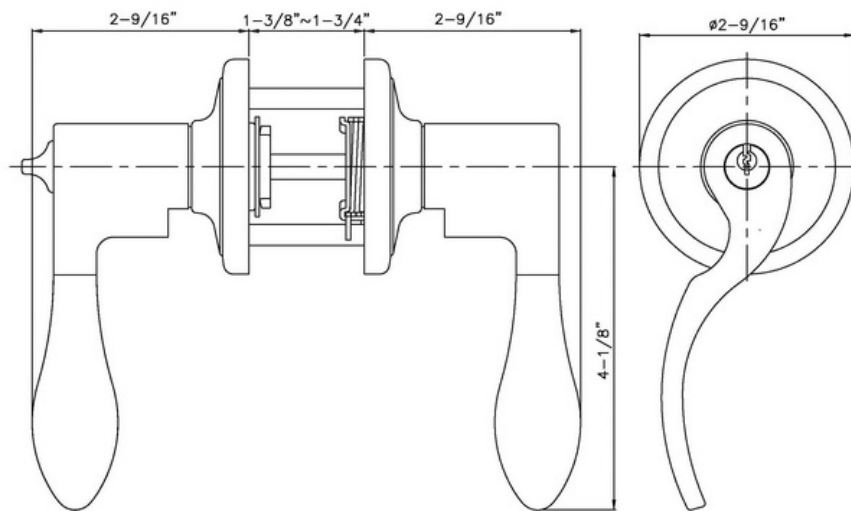


**Philadelphia Hardware Group, Inc.**

6590 Top Gun Street  
San Diego, CA 92121  
[www.philihardware.com](http://www.philihardware.com)

Tel  
858.642.0450  
858.545.2309  
Fax  
858.642.0454

## DIMENSIONS



**SAN DIEGO**

•

**CHICAGO**

•

**ATLANTA**