

# EZSET Specifications

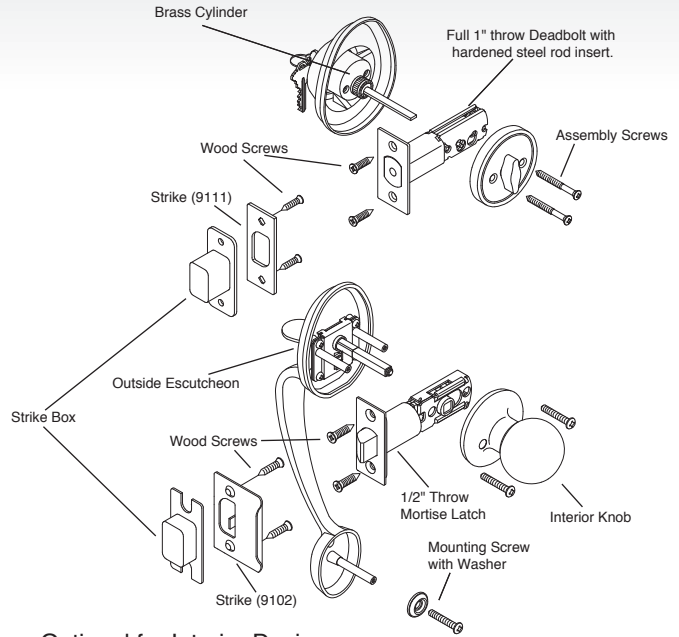
## 400 Series Handleset



Philadelphia Hardware Group

### STANDARD SPECIFICATIONS

<b>Door Prep</b>	Deadbolt cross bore: 2-1/8". Handleset cross bore: 2-1/8". Edge bore: 1", Latch face" 1" x 2-1/4". <b>*Mounting bore distance(center to center): 5-1/2".</b>
<b>Backset</b>	Fits 2-3/8" and 2-3/4" both.
<b>Door Thickness</b>	1-3/8" ~ 1-3/4" door standard.
<b>Cylinder</b>	KW1 5-pin standard (Solid Brass)
<b>Latches</b>	Upper: 2-3/8" and 2-3/4" adjustable. (9092) Faceplate: 1" x 2-1/4" round corner. Bolt: Solid brass with hardened steel rod, full 1" throw. Lower: 2-3/8" and 2-3/4" adjustable. (9080R) (for lever and knob) Brass Lever: 2-3/8" and 2-3/4" adjustable. (9079R) Faceplate: 1" x 2-1/4" round corner. Bolt: Solid brass 1/2" throw.
<b>Strikes</b>	Deadbolt: 2-1/4" Full lip round corner. (9117) Thumbpiece: 2-1/4" Full lip round corner. (9103)
<b>Wood Screws</b>	Combination screws that suit both wood or metal door mounting.
<b>Door Handing</b>	Specify handing when ordering lever as interior design.



#### Optional for Interior Designs

##### Lever Designs



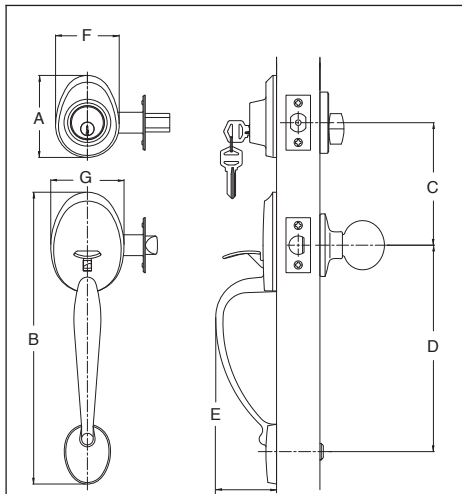
##### Knob Designs



##### Brass Lever Designs

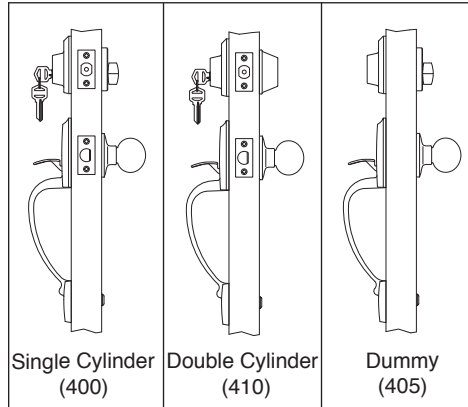


### DIMENSIONS



DESIGN			
	Mayfair	Imperial	Capri
A	3-11/32"	3-35/64"	3-5/32"
B	11-29/32"	12-1/8"	11-15/64"
C	5-1/2"	5-1/2"	5-1/2"
D	8-27/64"	8-27/64"	8-27/64"
E	2-31/64"	2-31/64"	2-11/64"
F	2-19/32"	2-3/8"	2-3/8"
G	3"	2-43/64"	2-43/64"

### FUNCTIONS



### AVAILABLE DESIGNS

ABBREVIATION	ITEM NAME
MA	Mayfair
IM	Imperial
CA	Capri

### OPTIONS

DESCRIPTION	NOTE
Door Thickness	Available for 2" and 2-1/4" thick door.
Cylinder	SC1 5-pin, SC4 6-pin.
Keying	Keying as requested.
Latches (for lever and knob)	Deadbolt: Square corner (9091), Drive-in. (9093) Thumbpiece: Square corner (9080), Drive-in. (9085) Brass lever: Square corner (9079), Drive-in. (9079C)
UL Latch	Available.
Strikes	Upper: 1-1/8" x 2-3/4" square corner. (9111) 1" x 2-1/4" square corner. (9112) 1" x 2-1/4" round corner. (9113) 1-1/4" x 3-5/8" round corner. (9119 security deadbolt strike) Lower: 1-1/8" x 2-3/4" "T" type . (9101) 1-3/4" x 2-1/4" Full Lip Square Corner. (9102) 1-3/4" Full Round Strike. (9108) 1-1/4" x 2-3/4" "T" Type Adjustable. (9125)
Split Finishes	Available upon request.

### AVAILABLE FINISHES

FINISH		MA	IM	CA
PVD	Lifetime Brass	●	●	●
US3	Polished Brass	●	●	●
US5	Antique Brass	●	●	●
US15	Satin Nickel	●	●	●
US15A	Antique Nickel (Pewter)	●	●	●
US26	Polished Chrome	●	●	●
US10B	Oil Rubbed Bronze	●	●	●
US12P	Tuscany Bronze	●	●	●

\*Other finishes maybe available upon request. Please call for more information.

01/01/2008