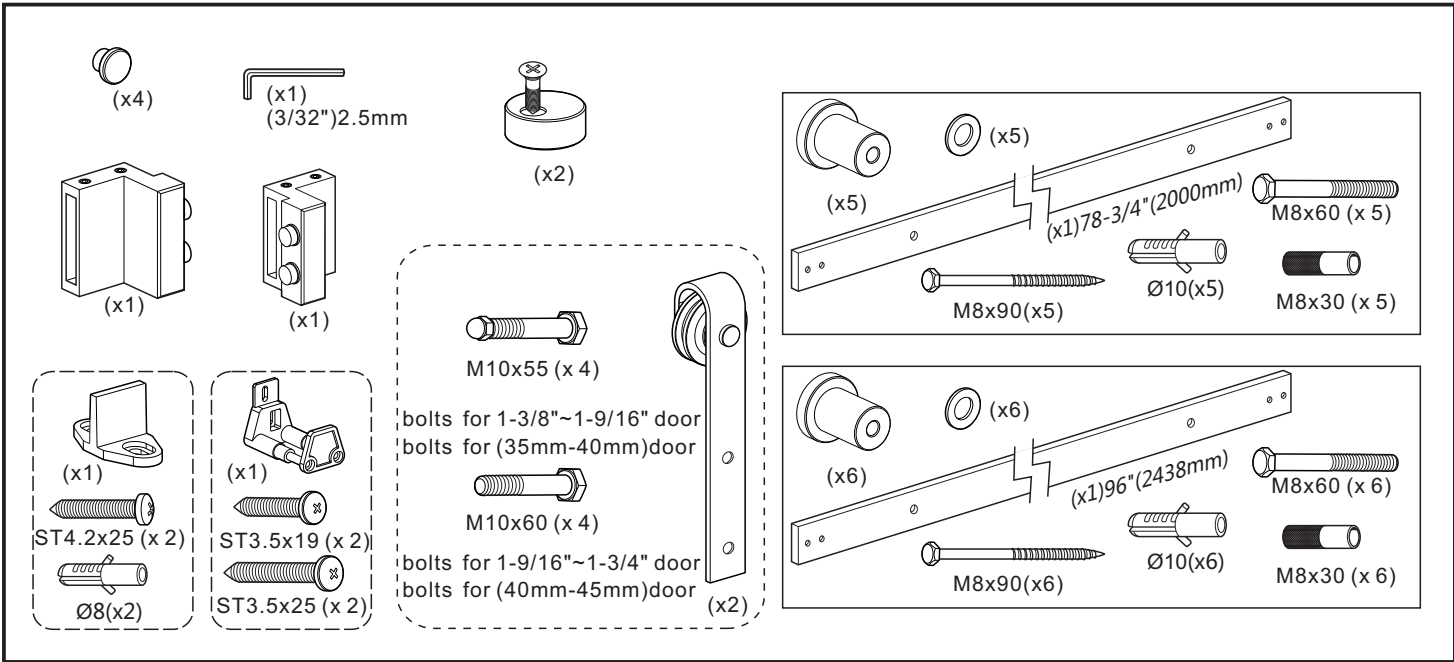
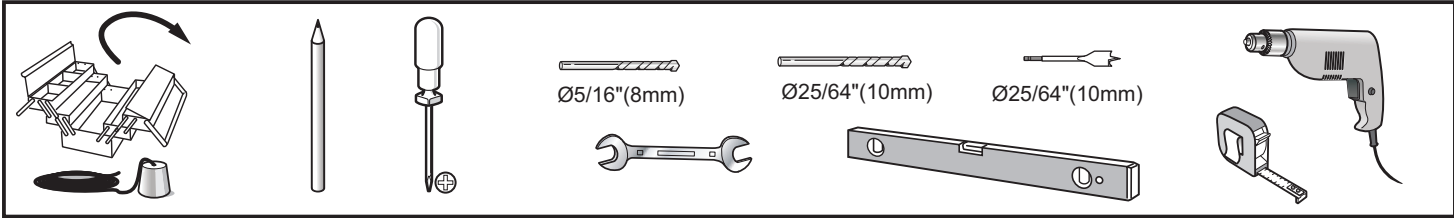
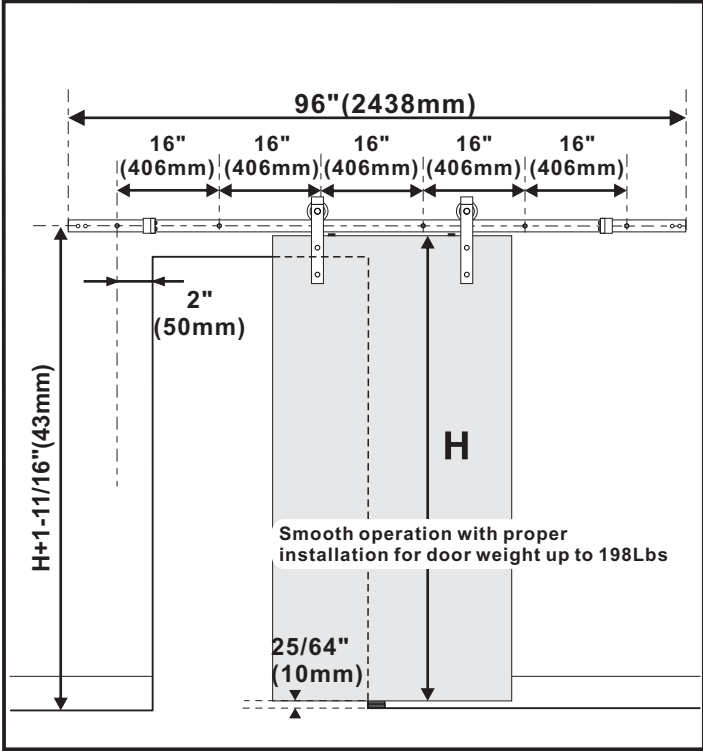
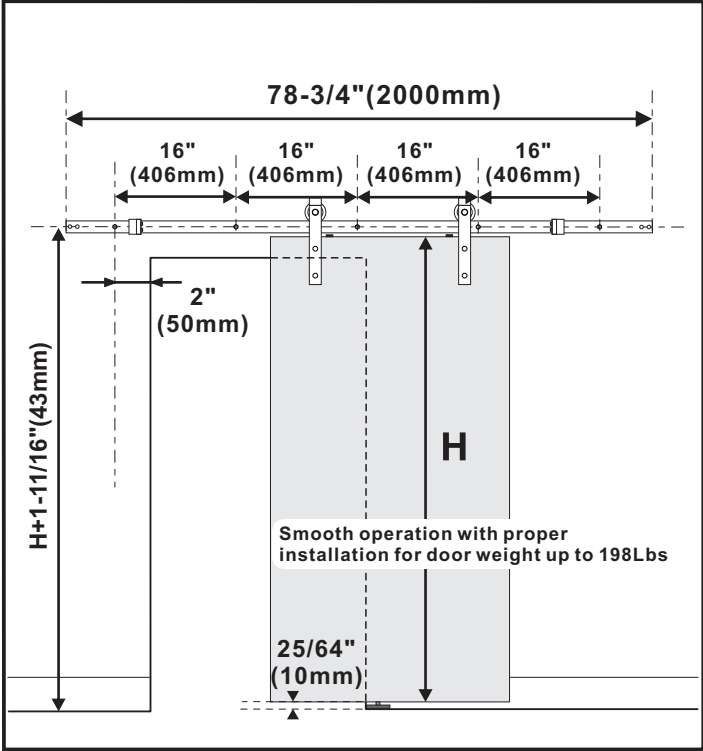
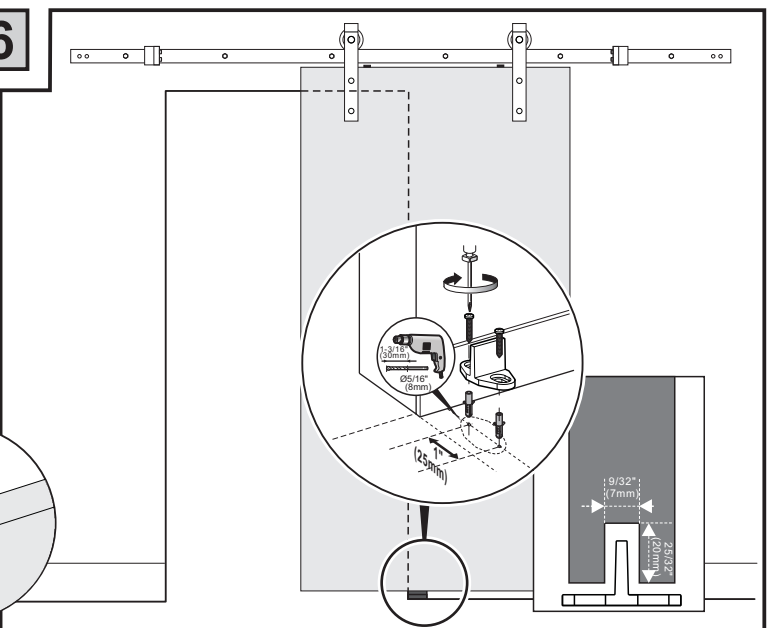
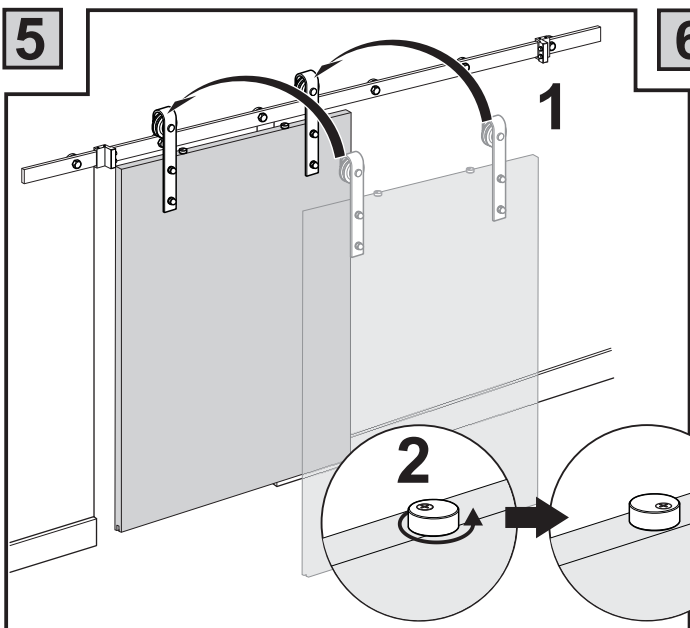
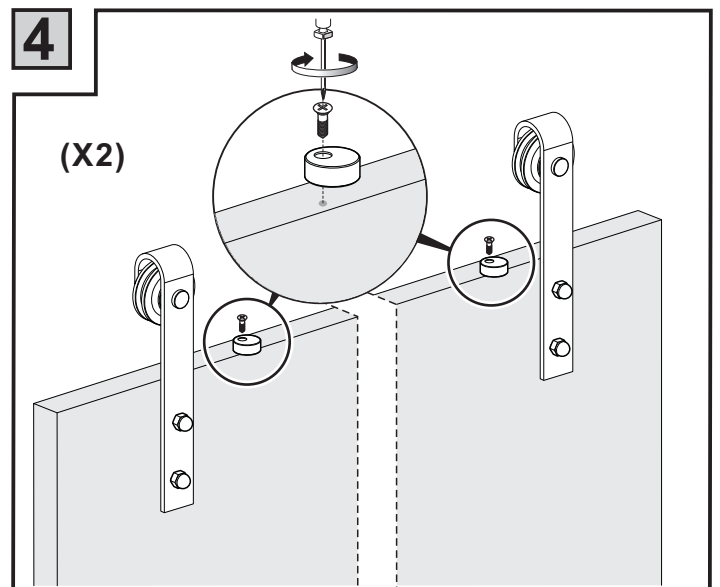
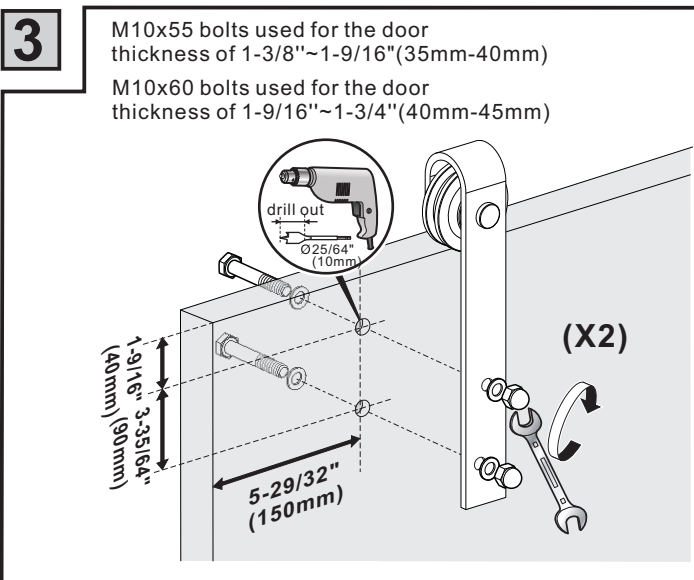
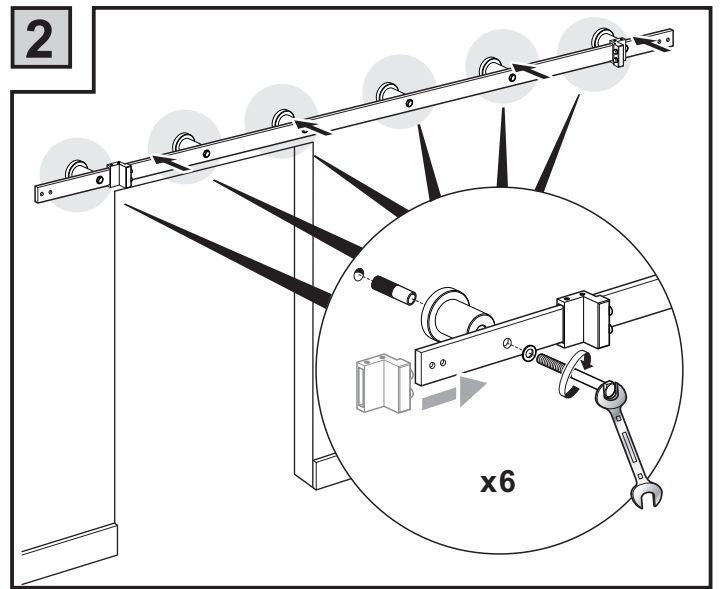
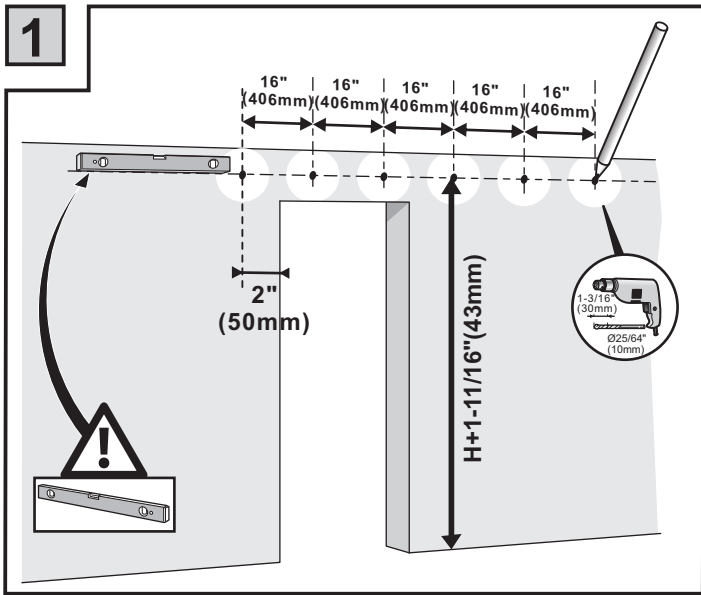
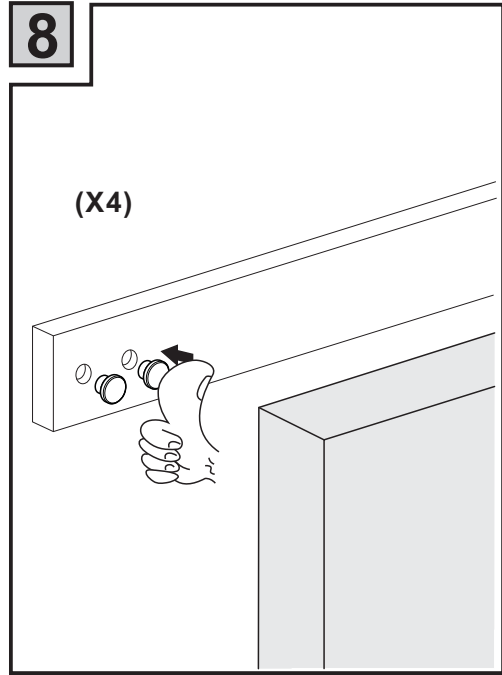
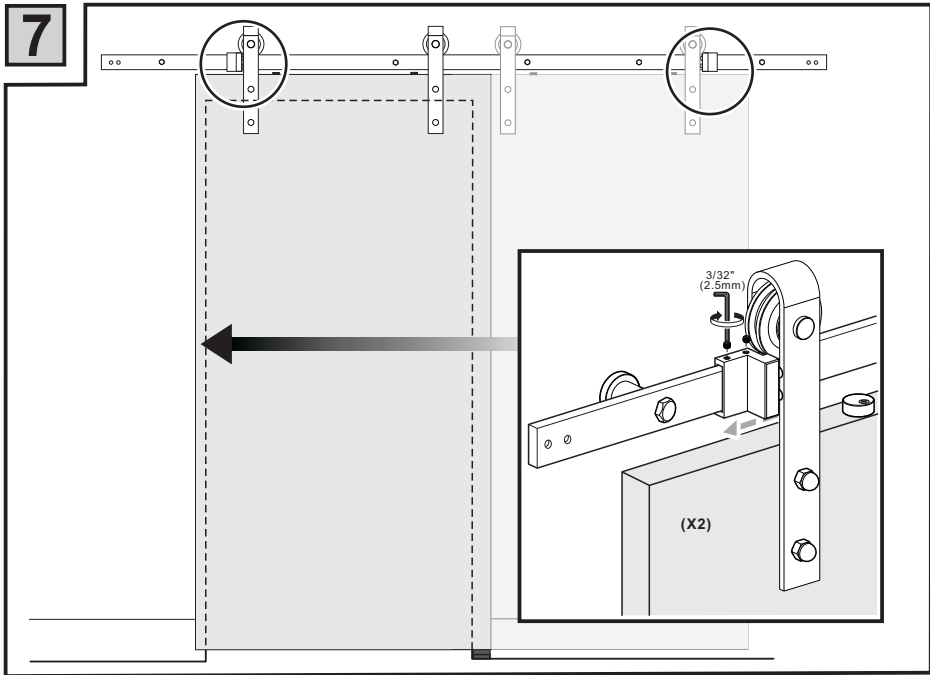


# Installation Manual







**Optional: Soft CloseKit mounting instruction**

(x1)Left

(x1)Right

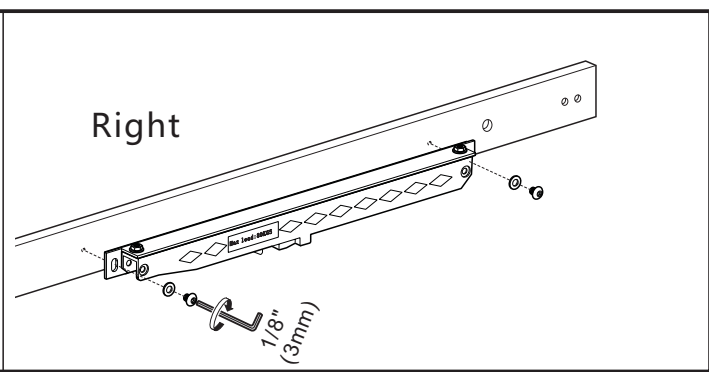
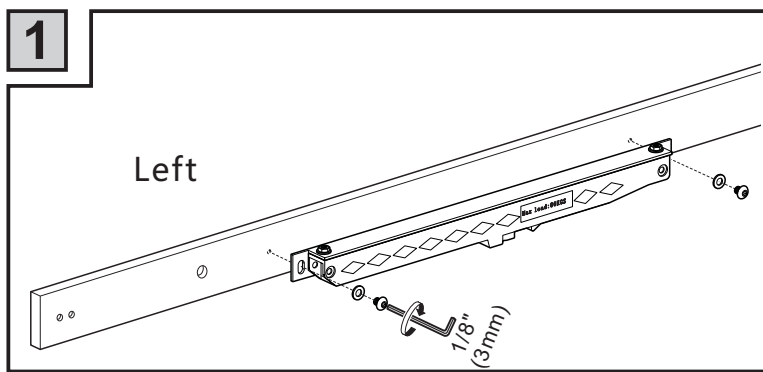
M5x6(x4)

(x1)  
1/8" (3mm)

(x4)

ST4.2x25 (x 6)

(x2)



**2**

1

2

(x2)

Install the two actuators on top of door panel based on door width.

Then adjust the screws to fit for the actuators