



6590 Top Gun Street
San Diego, CA 92121
www.philihardware.com

Tel

Philadelphia Hardware Group Inc.

858.642.0450

858.545.2309

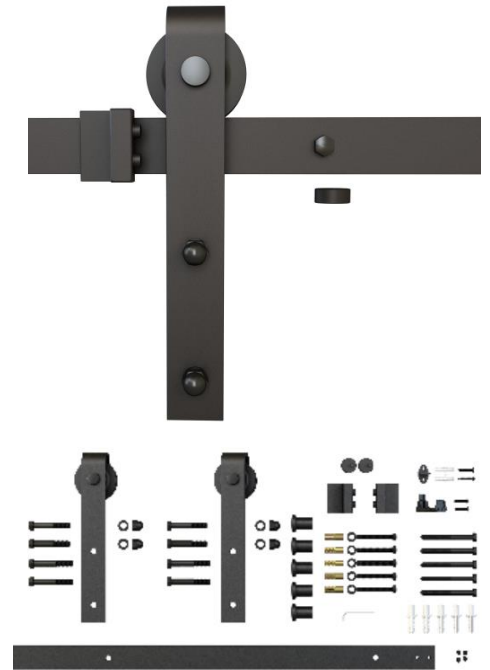
Fax

858.642.0454

BDF-1200 Barn Door Hardware

SPECIFICATIONS

- Type: Face Mount Bent Strap Wheel.
- Standard: Meets performance requirements of ANSI/BHMA 156.14 for Sliding doors by exceeding 100,000 cycles.
- Material: Durable powder-coated Metal construction
- Door: Fits Wood Door 1-3/8" and 1-3/4".
Maximum door weight: 198Lbs (smooth operation)
- System Included:
 - 1 Hanger set (pair).
 - 2 Track stoppers
 - 5 Rail mounting clamps for rail size 6'6".
 - 6 Rail mounting clamps for rail size 8'0".
 - 1 Flat Track Rail, length 6'6" or 8'0".
 - 1 Floor guide.
 - Mounting screw pack.
(for both 1-3/8" and 1-3/4" door thick)



ITEMS

BDF1278 Face mount Bent strap wheel set 6'6", finish: Matt Black

BDF1296 Face mount Bent strap wheel set 8'0", finish: Matt Black

FINISH

- Matt Black (powder-coated)

PACKAGING

- 1 set hardware kits/box, Hanger set be packed separately.

SAN DIEGO

•

CHICAGO

•

ATLANTA

•

DALLAS