



**Philadelphia Hardware Group, Inc.**

6590 Top Gun Street  
San Diego, CA 92121  
[www.philihardware.com](http://www.philihardware.com)  
Tel  
858.642.0450  
858.545.2309  
Fax  
858.642.0454

# Towel Ring

## CHELSEA SERIES

### SPECIFICATIONS

- Material: Zinc die-cast Post
- Concealed surface mounting application
- Ring: Dia. 6" x  $\varnothing$  3/8" metal tubing
- Finish: US3 Polished Brass  
US26 Polished Chrome  
US15 Satin Nickel

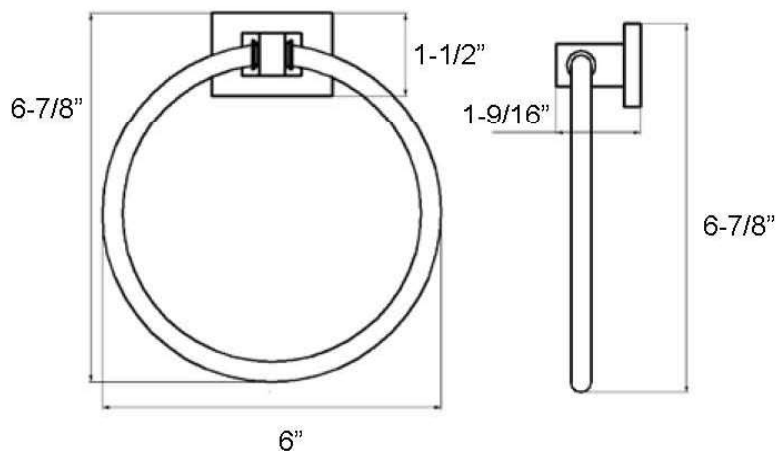
### PARTS

- Steel mounting plate x 1
- Plastic anchors x 2
- #8 x 1-1/4" steel Phillips head screws x 2



### DIMENSIONS

- Projection: 1-9/16" from the Mounting Surface
- Overall Size: 6-7/8" x 6"



SAN DIEGO

CHICAGO

SEATTLE