



**Philadelphia Hardware Group Inc.**

6590 Top Gun Street  
San Diego, CA 92121  
[www.philihardware.com](http://www.philihardware.com)  
Tel  
858.642.0450  
858.545.2309  
Fax  
858.642.0454

## DS-02 Wood Door Silencer

### FEATURES

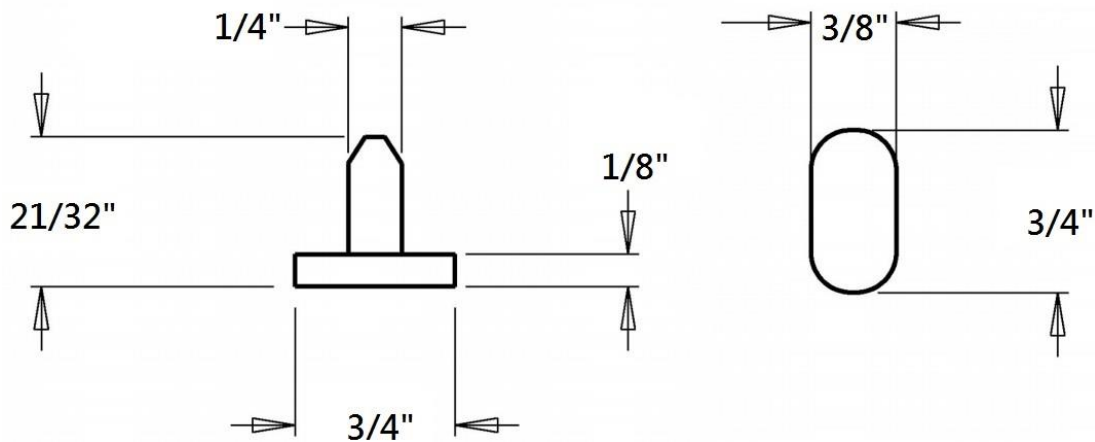
- Door cushioning rubber for use on Wood Door Frames.
- Absorb shock and reduce noise while closing door.
- Eliminates door rattle and provides constant tension for door latches or locks.
- Meets ANSI 156.16 for **L03021**



### SPECIFICATIONS

- Material: Rubber
- Size: 3/4" long x 3/8", 9/64" Projection.
- Finish: Gray

### DIMENSION



Unit: inch

SAN DIEGO

CHICAGO

ATLANTA