



Philadelphia Hardware Group Inc.

6590 Top Gun Street
San Diego, CA 92121
www.philihardware.com
Tel
858.642.0450
858.545.2309
Fax
858.642.0454

900L Series Heavy Duty Lever Trim

FEATURES

- Design to use with Grade 1 Exit Device.
- Standard for 1-3/4" – 2" door thick.
- Rigid lever design.
- **Optional Security Plate (SP500).**

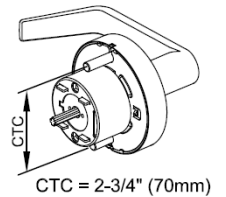


900L-CT US26D

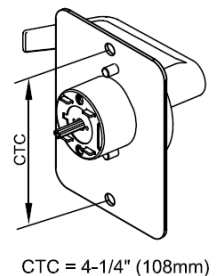
SPECIFICATIONS

| | |
|---------------|--|
| Certification | California State Reference Code: (formerly title 19, California State Fire Marshall standard) all levers with returns, return to within 1/2" (12 mm) of door face. |
| Exposed Trim | Wrought stainless steel with steel construction. Pressure cast zinc lever. |
| Cylinder | Solid brass SC4 6-pins standard. SFIC compatible with BEST profile 6-pins and 7-pins. LFIC compatible with BEST profile 6-pins and 7-pins. |
| Finishes | US10B (613), US26D (626). |
| Function | 900L (ANSI 08) Entrance 901L (ANSI 14) Passage 904L (ANSI 09) Storeroom (Night-Latch) 915L (ANSI 02) Dummy |

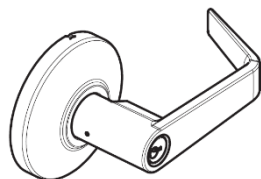
Trim w/o security plate



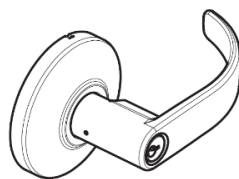
Trim with security plate



LEVER STYLES

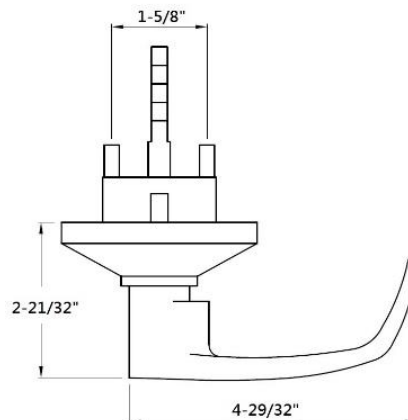


CHARLOTTE (CT)



SAN DIEGO (SD)

DIMENSIONS



SAN DIEGO

CHICAGO

ATLANTA

DALLAS