



Philadelphia Hardware Group, Inc.

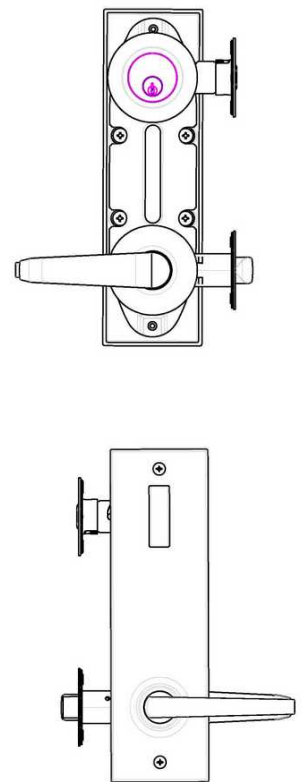
6590 Top Gun Street
San Diego, CA 92121
www.philihardware.com

Tel
858.642.0450
858.545.2309
Fax
858.642.0454

IS Series Interconnected Lock (round exterior)

SPECIFICATIONS

Door Prep	Cross bore: 2-1/8" Mounting (center to center): 5-1/2"
Backset	Fits both 2-3/8" and 2-3/4".
Door Fitting	1-5/8" ~ 2" door thick.
Exposed Trim	Zinc or Stainless steel. Lever is zinc alloy.
Keys	Key as requested (KA, KD, MCK, MK, GMK).
Cylinder	KW1 standard, SC1 optional.
Latch	UL Latch standard for both deadbolt and handle. Upper deadbolt: 2-3/8" and 2-3/4" adjustable. Bolt: 1" throw with hardened steel rod insert. Faceplate: 1" x 2-1/4" round corner. Lower handle: 2-3/8" and 2-3/4" adjustable. Bolt: 1/2" throw. Faceplate: 1" x 2-1/4" round corner.
Strike	Deadbolt: Full lip 1-3/4" x 2-1/4" round corner (9117). Handle: Full lip 1-3/4" x 2-1/4" round corner (9103).
Door Handing	Universal, non-handing
Function	ANSI F95 Entrance Single Locking
Finish	US15 & US26 Standard Other finishes available with minimum order quantity and longer delivery lead-time.
Lever Style	Exterior: San Diego (SD), Charlotte (CT) Interior: SOHO (SH) Standard Other lever style available with minimum order quantity and longer delivery lead-time.
Standard Items	301IS-SD/SH-US15 (Exterior SD Lever/Interior SH lever) 301IS-SD/SH-US26 (Exterior SD Lever/Interior SH lever) 301IS-SH-US15 (SH lever with round rosette) 301IS-SH-US26 (SH lever with round rosette)



301IS-SD/SH

SAN DIEGO

•

CHICAGO

•

ATLANTA

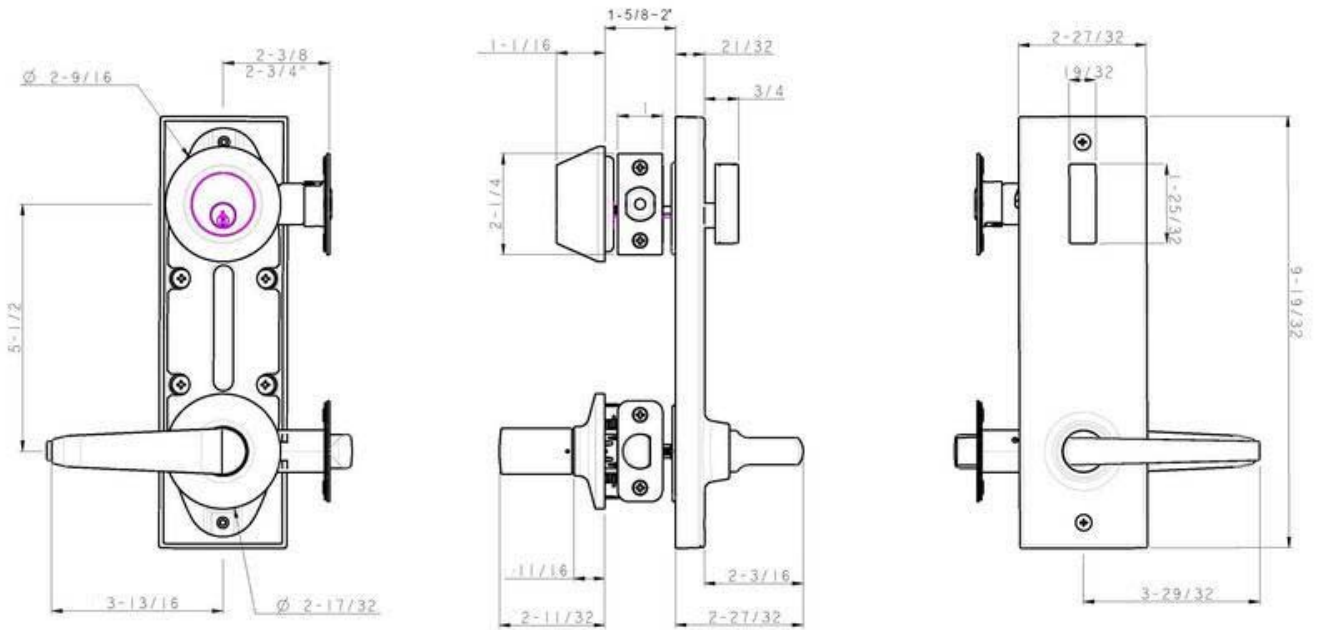


Philadelphia Hardware Group, Inc.

6590 Top Gun Street
 San Diego, CA 92121
www.philihardware.com

Tel
 858.642.0450
 858.545.2309
 Fax
 858.642.0454

DIMENSIONS



SAN DIEGO (SD)



CHARLOTTE (CT)

SAN DIEGO

•

CHICAGO

•

ATLANTA