



Philadelphia Hardware Group, Inc.

6590 Top Gun Street
San Diego, CA 92121
www.philihardware.com
Tel
858.642.0450
858.545.2309
Fax
858.642.0454

Commercial Hinge

BALL BEARING STANDARD WEIGHT SWING CLEAR

SPECIFICATIONS

- 5 Knuckles, 2 ball bearing
Non-rising removable pin with button tip and plug.
- Designed to swing doors completely clear of the opening when door is opened 95°
- Recommended for 3'0" x 7'0" x 1 3/4" door not to exceed 150 lbs
- Reversible
- Finish – US26D



CH4516S Swing Clear
4-1/2" x 4-1/2" x square
Ball Bearing US26D

MATERIAL: Steel with Steel Pin
• Steel ANSI A8122

N.R.P. ITEM

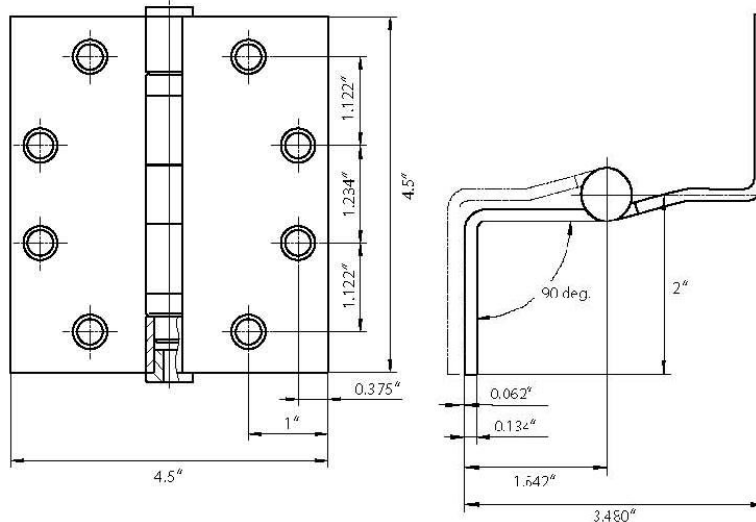
CODE	SIZE	RADIUS	MATERIAL	Gauge
CH4516S	4-1/2" x 4-1/2" square		steel	0.134" (3.4mm)

SCREWS

- 1bag (8pcs) of #12 x 1-1/4" Wood screws
- 1bag (8pcs) of #12 x 1/2" 12-24NC Machine screws

DIMENSIONS

4-1/2" Standard Duty Ball Bearing Swing Clear



SAN DIEGO

CHICAGO

SEATTLE