



Philadelphia Hardware Group, Inc.

6590 Top Gun Street
San Diego, CA 92121
www.philihardware.com
Tel
858.642.0450
858.545.2309
Fax
858.642.0454

Commercial Hinge

Heavy weight
Ball Bearing

SPECIFICATIONS

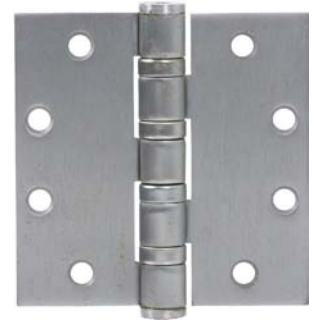
- 5 Knuckles, 4 ball bearing, non-rising removable pin with button tip and plug.
- Square corner.
- Full Mortise, timely template (ANSI A156.7).
- Standard with N.R.P. (non removable pin)
- Finish – US26D

MATERIAL: Steel with Steel Pin

- Steel ANSI A8111

N.R.P. ITEM

CODE	SIZE	RADIUS	MATERIAL	Gauge
CN4616	4-1/2" x 4-1/2" square		steel	0.18" (4.6mm)



CN4616
4-1/2" x 4-1/2" x square
N.R.P. US26D

SCREWS

- 1bag (8pcs) of #12 x 1-1/4" Wood screws
- 1bag (8pcs) of #12 x 1/2" 12-24NC Machine screws

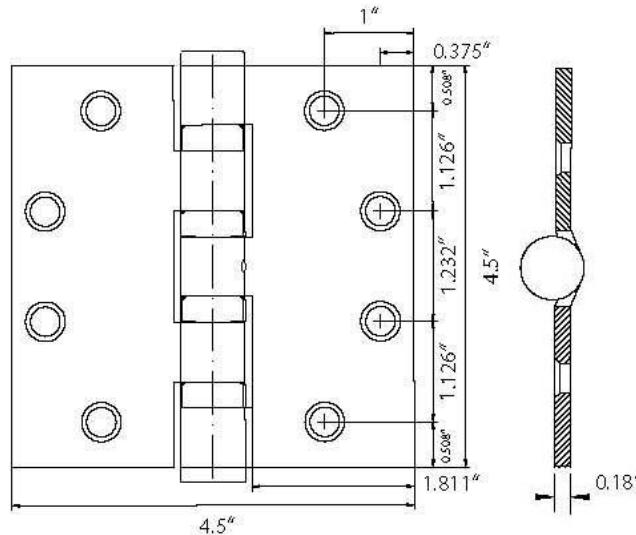
DIMENSIONS

COMMERCIAL HINGE

4 1/2" X 4 1/2"

Not To Scale

4-1/2" x 4-1/2" Heavy Duty Four Ball Bearing N.R.P.



SAN DIEGO

CHICAGO

SEATTLE