



Philadelphia Hardware Group, Inc.

6590 Top Gun Street
San Diego, CA 92121
www.philihardware.com
Tel
858.642.0450
858.545.2309
Fax
858.642.0454

Soap Holder

CHELSEA SERIES

SPECIFICATIONS

- Material: Zinc die-cast
- Concealed surface mounting application
- Finish: US3 Polished Brass
US26 Polished Chrome
US15 Satin Nickel

PARTS

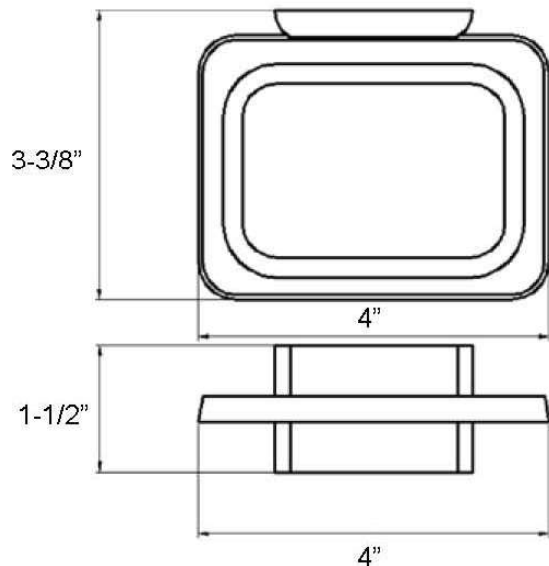
- Steel mounting plate x 1
- Plastic anchors x 2
- #8 x 1-1/4" steel Phillips head screws x 2



Soap Holder
US15

DIMENSIONS

- Projection: 3-3/8" from the mounting surface
- Overall Size: 1-1/2" x 4"



SAN DIEGO

CHICAGO

SEATTLE