



**Philadelphia Hardware Group, Inc.**

6590 Top Gun Street  
San Diego, CA 92121  
[www.philhardware.com](http://www.philhardware.com)  
Tel  
858.642.0450  
858.545.2309  
Fax  
858.642.0454

# Tooth Brush Holder

## CHELSEA SERIES

### SPECIFICATIONS

- Material: Zinc Die-cast
- Concealed surface mounting application
- Finish: US3 Polished Brass  
US26 Polished Chrome  
US15 Satin Nickel

### PARTS

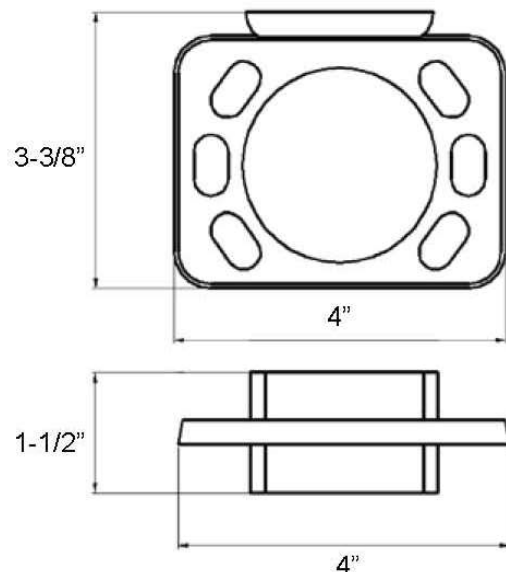
- Steel mounting plate x 1
- Plastic anchors x 2
- #8 x 1-1/4" steel Phillips head screws x 2



Tooth Brush Holder  
US15

### DIMENSIONS

- Projection: 3-3/8" from the Mounting Surface
- Overall Size: 1-1/2" x 4"



SAN DIEGO

CHICAGO

SEATTLE