



Philadelphia Hardware Group Inc.

6590 Top Gun Street
San Diego, CA 92121
www.philihardware.com
Tel
858.642.0450
858.545.2309
Fax
858.642.0454

Towel Ring



SPECIFICATIONS

- Material: Zinc die-cast Post
- Concealed surface mounting application
- Ring: Dia. 6-1/4" x \varnothing 3/8" metal tubing
- Finish: US26 Polished Chrome
US15 Satin Nickel
US12P Tuscany Bronze



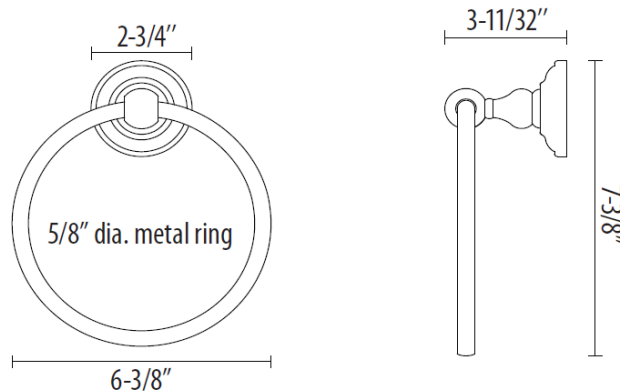
Towel Ring US15

PARTS

- Steel mounting plate x 1
- Plastic anchors x 2
- #8 x 1-1/4" steel Phillips head screws x 2

DIMENSIONS

- Projection: 3-11/32" from the Mounting Surface
- Overall Size: 6-3/8" x 7-3/4"



Towel Ring