



Philadelphia Hardware Group Inc.

6590 Top Gun Street
San Diego, CA 92121
www.philihardware.com
Tel
858.642.0450
858.545.2309
Fax
858.642.0454

Euro Paper Holder

AVALON

SPECIFICATIONS

- Material: Zinc die-cast Posts
- Concealed surface mounting application
- Color plated steel hook.
- Finish: US26 Polished Chrome
US15 Satin Nickel
US12P Tuscany Bronze



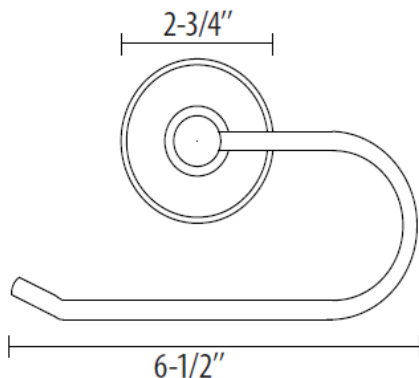
Euro Paper Holder US15

PARTS

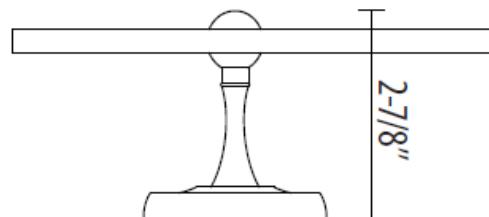
- Steel mounting plate x 1
- Plastic anchors x 2
- #8 x 1-1/4" steel Phillips head screws x 2

DIMENSIONS

- Projection: 2-7/8" from the mounting surface



Euro Paper Holder



SAN DIEGO

CHICAGO

ATLANTA

DALLAS