



**Philadelphia Hardware Group Inc.**

6590 Top Gun Street  
San Diego, CA 92121  
[www.philihardware.com](http://www.philihardware.com)  
Tel  
858.642.0450  
858.545.2309  
Fax  
858.642.0454

## Euro Paper Holder

**PORTMAN**

### SPECIFICATIONS

- Material: Zinc die-cast Posts
- Concealed surface mounting application
- Color plated steel hook.
- Finish: US26 Polished Chrome  
US15 Satin Nickel  
US12P Tuscany Bronze



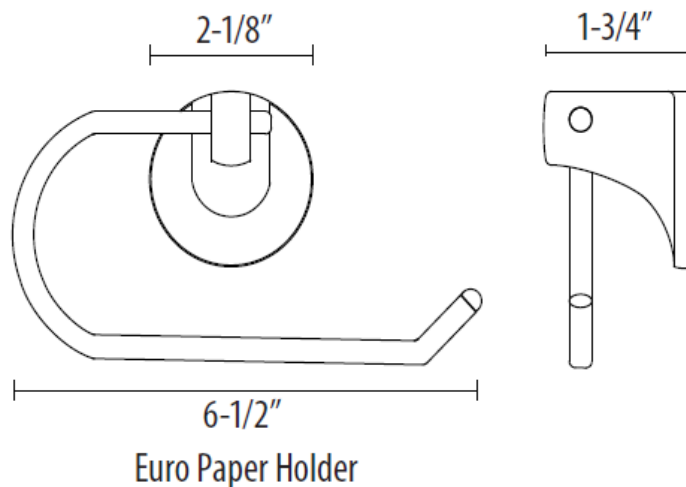
Euro Paper Holder US15

### PARTS

- Steel mounting plate x 1
- Plastic anchors x 2
- #8 x 1-1/4" steel Phillips head screws x 2

### DIMENSIONS

- Projection: 1-3/4" from the mounting surface



**SAN DIEGO**

•

**CHICAGO**

•

**ATLANTA**

•

**DALLAS**