



**Philadelphia Hardware Group Inc.**

6590 Top Gun Street  
San Diego, CA 92121  
[www.philihardware.com](http://www.philihardware.com)

Tel  
858.642.0450  
858.545.2309  
Fax  
858.642.0454

## Paper Holder

# AUSTIN

### SPECIFICATIONS

- Material: Zinc die-cast Posts
- Concealed surface mounting application
- Dia. 7/8" x 6" Color plated roller with spring tension
- Finish: US26 Polished Chrome  
US15 Satin Nickel



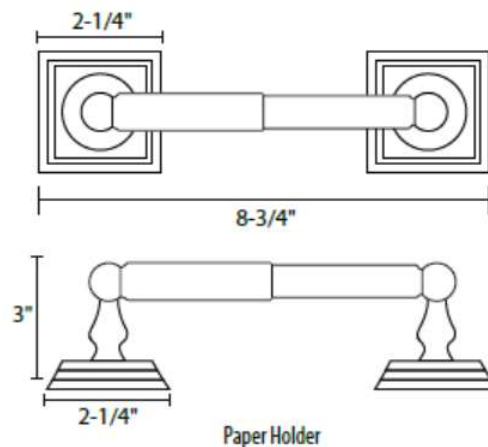
Paper Holder US26

### PARTS

- Steel mounting plate x 2
- Plastic anchors x 4
- #8 x 1-1/4" steel Phillips head screws x 4

### DIMENSIONS

- Projection: 3" from the mounting surface
- Overall Size: 2-1/8" x 8-11/16"



SAN DIEGO

CHICAGO

ATLANTA