



**Philadelphia Hardware Group Inc.**

6590 Top Gun Street  
San Diego, CA 92121  
[www.philihardware.com](http://www.philihardware.com)

Tel  
858.642.0450  
858.545.2309  
Fax  
858.642.0454

## Paper Holder

# HOLLYWOOD

### SPECIFICATIONS

- Material: Zinc die-cast Posts
- Concealed surface mounting application
- Color plated steel hook.
- Finish: US26 Polished Chrome  
US15 Satin Nickel

### PARTS

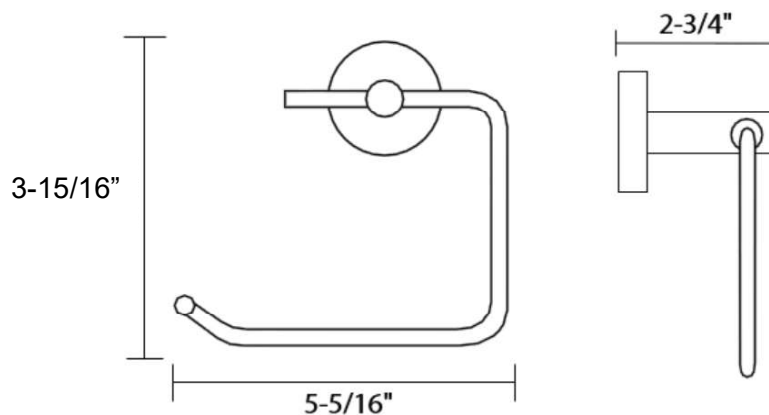
- Steel mounting plate x 1
- Plastic anchors x 2
- #8 x 1-1/4" steel Phillips head screws x 2



Euro Paper Holder US26

### DIMENSIONS

- Projection: 2-3/4" from the mounting surface
- Overall Size: 5-5/16" x 3-15/16"



**SAN DIEGO**

**CHICAGO**

**ATLANTA**