



**Philadelphia Hardware Group, Inc.**

6590 Top Gun Street  
San Diego, CA 92121  
[www.philihardware.com](http://www.philihardware.com)

Tel  
858.642.0450  
858.545.2309  
Fax  
858.642.0454

# 200T Series

**GRADE 3  
Deadbolt**



## SPECIFICATIONS

Door Prep	Cross bore: 2-1/8" Edge bore: Edge Bore: 1" Latch Face: 1" round
Backset	Fits both 2-3/8" and 2-3/4".
Door Fitting	1-3/8" ~ 1-3/4" door thick.
Exposed Trim	Brass, or stainless steel.
Keys	Key as requested (KA, KD, MCK, MK, GMK).
Cylinder	5pins KW1 standard, SC1 optional.
Latch	2-3/8" and 2-3/4" adjustable Bolt: 1" throw, faceplate: 1" x 2-1/4" round corner.
Function	200T – Single Cylinder 210T – Double Cylinder 205T – One Sided, half-bore 206T – One Sided, full-bore.
Finish	Stock Finish: US3 Polish Brass, US5 Antique Brass, US15 Satin Nickel. US15A Place Kickel, US26 Bright Chrome, US10B Oil Rubbed Bronze, US26 Bright Chrome, US32D Satin Stainless Steel.

**SAN DIEGO**

**CHICAGO**

**SEATTLE**



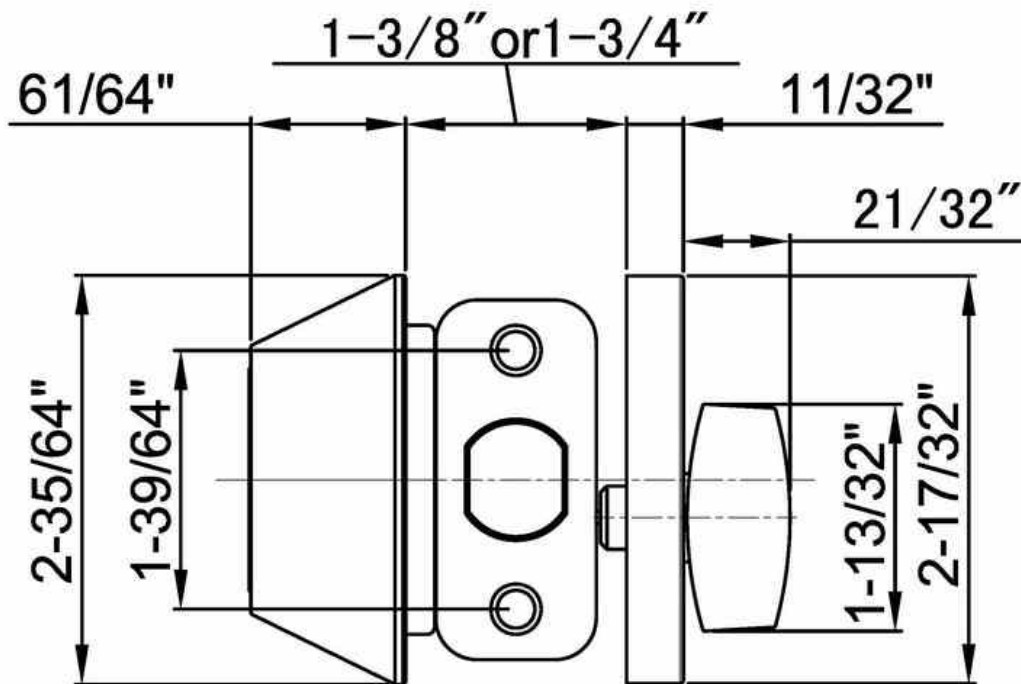
**Philadelphia Hardware Group, Inc.**

6590 Top Gun Street  
San Diego, CA 92121  
[www.philihardware.com](http://www.philihardware.com)

Tel  
858.642.0450  
858.545.2309  
Fax  
858.642.0454

### DIMENSIONS

(EXAMPLE: SINGLE CYLINDER)



SAN DIEGO

CHICAGO

SEATTLE