


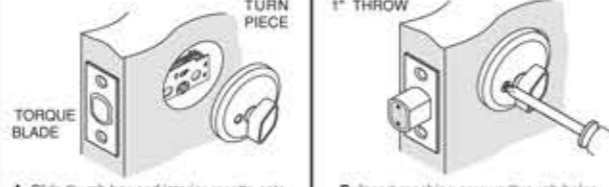


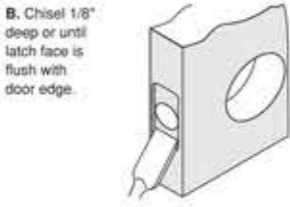

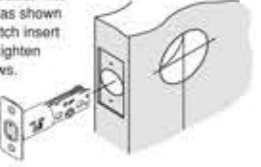


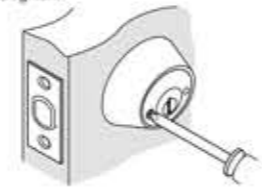
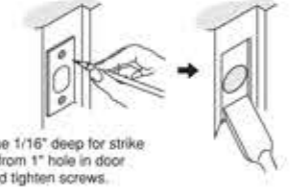


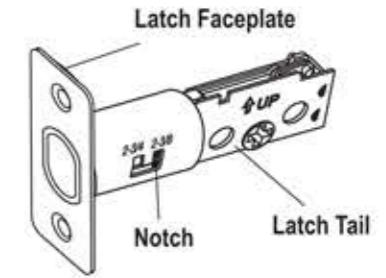
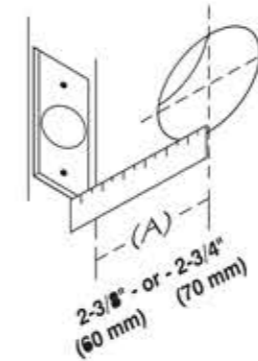
INSTRUCTIONS FOR INSTALLATION OF SINGLE AND DOUBLE CYLINDER DEADLOCKS

FOR USE ON DOORS 1-3/8" TO 1-3/4" (35mm-45mm)





1. MARK DOOR A. Fold and apply template to high edge of door bevel and mark center of door edge as indicated on template at the desired height from the floor. 		5. INSTALL EXTERIOR MECHANISM A. Press cylinder side flush against door making certain the torque blade is properly positioned in latch crank. B. Tapped holes in mounting plate of exterior cylinder should be lined up with latch holes. Key hole should be in down position. TORQUE BLADE SHOULD BE HORIZONTALLY INSERTED INTO LATCH CRANK 	
2. DRILL HOLES A. Drill thru door face as marked for lockset. It is recommended that holes be drilled from both sides to prevent splintering. Hole size is 2" (50.8mm) for standard installations. 		6. INSTALL INTERIOR MECHANISM A. Slide thumb bar and interior rosette onto torque blade. TORQUE BLADE TURN PIECE B. Insert machine screws through holes engaging holes in cylinder and tighten. 1" THROW 	
3. INSTALL LATCH A. Insert latch in hole keeping it parallel to face of door. Mark outline and remove latch. 		INSTRUCTIONS FOR INSTALLING DOUBLE CYLINDER DEADLOCKS Exterior half is fully assembled with exterior torque blade EXTERIOR TORQUE BLADE NOTE: This assembly is placed through latch first. 	
B. Chisel 1/8" deep or until latch face is flush with door edge. 		A. Install interior cylinder INTERIOR TORQUE BLADE NOTE: The interior torque blade is inserted into the exterior blade. 	
C. Install deadbolt latch in up position into hole as shown on latch insert and tighten screws. 		B. Press interior assembly flush against door making certain the torque blade is properly positioned in latch hole. Key hole should be in down position. 	
4. INSTALL STRIKE A. Bore 1" hole 1" minimum deep for deadbolt. 		C. Insert(2) two screws through countersunk holes engaging holes in exterior cylinder and tighten. 	
B. Mortise 1/16" deep for strike locating from 1" hole in door insert and tighten screws. 			

Selecting the Proper Backset

The backset is the distance from the door edge to the center of the hole



To adjust the backset from 2-3/8" to 2-3/4" follow these steps.

Retract the latch bolt.	Hold the latch tail and rotate the faceplate towards you.	Once the notch is in the groove, pull the latch faceplate away from the latch tail.	Rotate the latch faceplate away from you and check to see if the notch is at the 2-3/4" mark.
			

To adjust the backset from 2-3/4" to 2-3/8" follow these steps.

Retract the latch bolt.	Hold the latch tail and rotate the faceplate towards you.	Once the notch is in the groove, push the latch faceplate towards the latch tail.	Rotate the latch faceplate away from you and check to see if the notch is at the 2-3/8" mark.
