



Philadelphia Hardware Group, Inc.

6590 Top Gun Street
 San Diego, CA 92121
www.philihardware.com

Tel
 858.642.0450
 858.545.2309
 Fax
 858.642.0454

CitiLoc 500T Series

**GRADE 3
 FLORENCE**

SPECIFICATIONS



| | |
|--------------|--|
| Door Prep. | Cross bore: 2-1/8" Edge bore: Edge Bore: 1" Latch Face: 1" x 2-1/4" |
| Backset | Fits both 2-3/8" and 2-3/4". |
| Door Fitting | 1-3/8" ~ 1-3/4" door thick. |
| Exposed Trim | Brass, Zinc Alloy or Stainless Steel |
| Keys | Key as requested (KA, KD, MCK, MK, GMK). |
| Cylinder | KW1 standard, SC1 optional. |
| Latch | 2-3/8" and 2-3/4" adjustable Bolt: 1/2" throw. Faceplate: 1" x 2-1/4" round corner. |
| Strike | Full lip 1-3/4" x 2-1/4" round corner (9103). |
| Door Handing | Universal, non-handing |
| Function | 500T – Entrance 501T – Passage 502T – Privacy 503T – Bathroom (interior with US26 Bright Chrome finish) 515T – Single Dummy |
| Finish | Stock Finish: US3 Polish Brass, US5 Antique Brass, US26 Bright Chrome US15 Satin Nickel, US10B Oil Rubbed Bronze |
| Lever Style | FLORENCE (FR) |

SAN DIEGO

•

CHICAGO



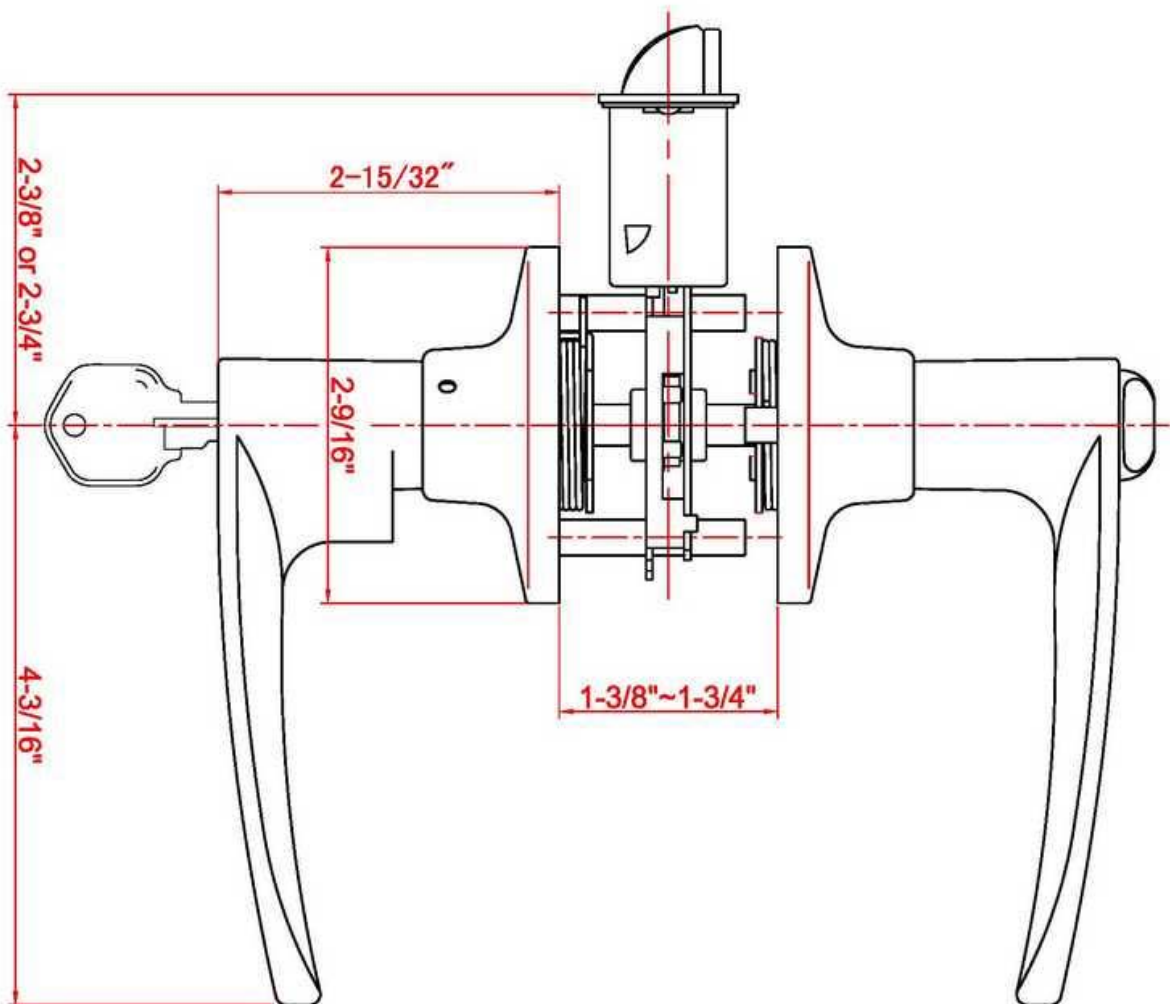
Philadelphia Hardware Group, Inc.

6590 Top Gun Street
San Diego, CA 92121
www.philihardware.com

Tel
858.642.0450
858.545.2309
Fax
858.642.0454

DIMENSIONS

(EXAMPLE: ENTRANCE)



SAN DIEGO

•

CHICAGO