



**Philadelphia Hardware Group, Inc.**

6590 Top Gun Street  
San Diego, CA 92121  
[www.philihardware.com](http://www.philihardware.com)

Tel  
858.642.0450  
858.545.2309  
Fax  
858.642.0454

# CitiLoc 100T Series

**GRADE 3  
EXQUIS**

## SPECIFICATIONS



Door Prep.	Cross bore: 2-1/8" Edge bore: Edge Bore: 1" Latch Face: 1" x 2-1/4"
Backset	Fits both 2-3/8" and 2-3/4".
Door Fitting	1-3/8" ~ 1-3/4" door thick.
Exposed Trim	Brass or Stainless Steel
Keys	Key as requested (KA, KD, MCK, MK, GMK).
Cylinder	KW1 standard, SC1 optional.
Latch	2-3/8" and 2-3/4" adjustable Bolt: 1/2" throw. Faceplate: 1" x 2-1/4" round corner.
Strike	Full lip 1-3/4" x 2-1/4" round corner (9103).
Door Handing	Universal, non-handing
Function	100T – Entrance 101T – Passage 102T – Privacy 103T – Bathroom (interior with US26 Bright Chrome finish ) 115T – Single Dummy
Finish	Stock Finish: US3 Polish Brass, US5 Antique Brass, US26 Bright Chrome US15 Satin Nickel, US10B Oil Rubbed Bronze
Knob Style	EXQUIS (EQ)

SAN DIEGO

·

CHICAGO



**Philadelphia Hardware Group, Inc.**

6590 Top Gun Street  
San Diego, CA 92121  
[www.philihardware.com](http://www.philihardware.com)

Tel

858.642.0450

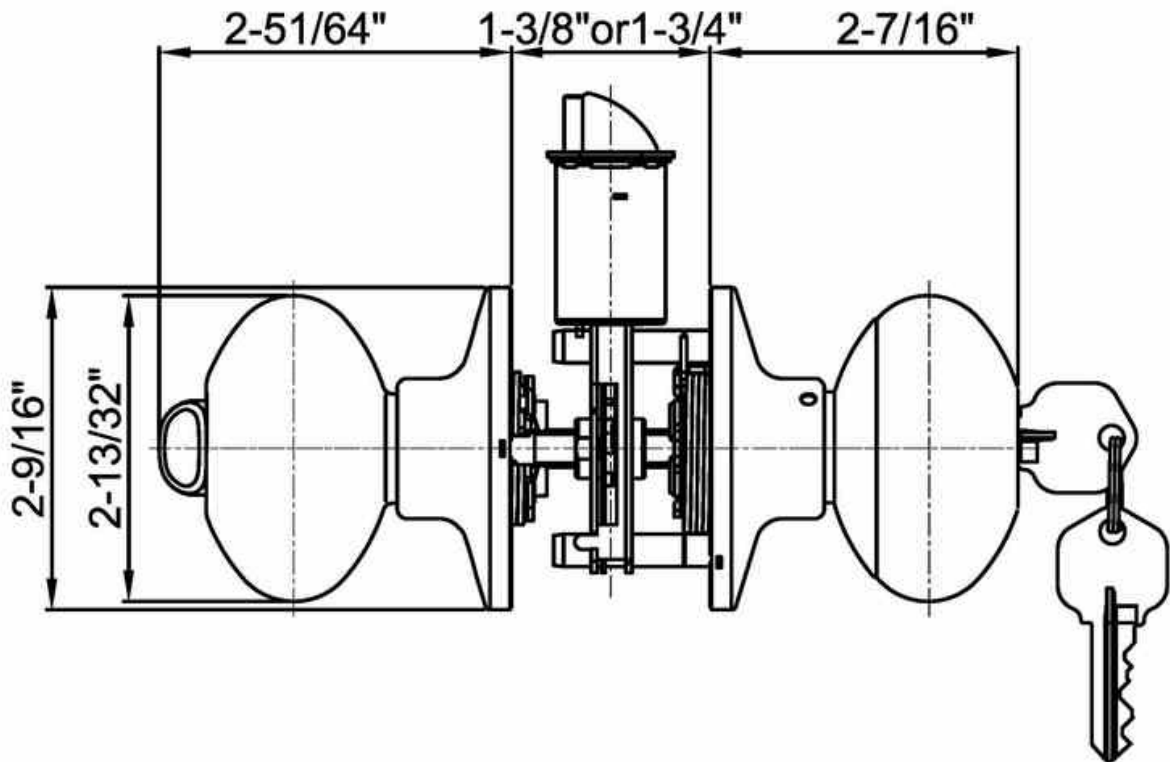
858.545.2309

Fax

858.642.0454

## DIMENSIONS

(EXAMPLE: ENTRANCE)



SAN DIEGO

·

CHICAGO