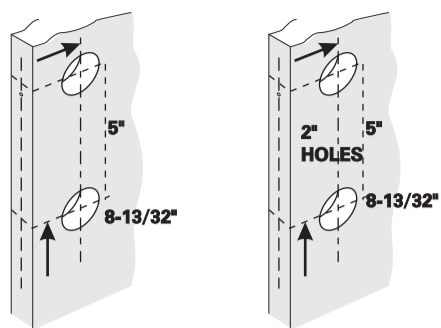


# INSTALLATION INSTRUCTIONS

## 1. MARK DOOR

USE TEMPLATE ENCLOSED TO MARK OFF INSTALLATION HOLES ON BOTH SIDES OF DOOR.



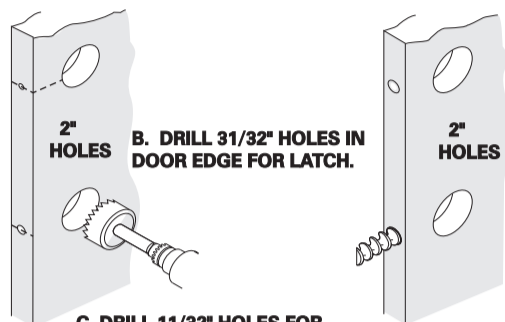
MAKE MARK FOR 31/32" HOLES ON DOOR EDGE.

RECOMMENDED HEIGHT FROM FLOOR 36"-38"

MAKE MARK FOR 11/32" HOLES ON DOOR FACE.

## 2. DRILL HOLES

A. DRILL 2" HOLES FROM BOTH SIDES OF DOOR.

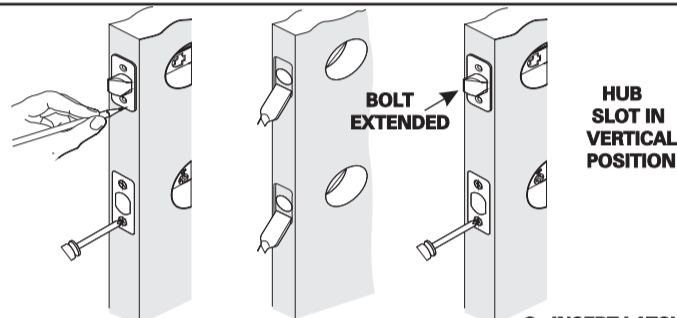


NOTE: TO AVOID SPLITTING, DRILL HOLES FROM BOTH SIDES.

C. DRILL 11/32" HOLES FOR BOTTOM OF HANDLE MOUNTING SCREW.

## 3. INSTALL LATCHES

NOTE: CUT OUT MUST BE PARALLEL TO EDGES OF DOOR



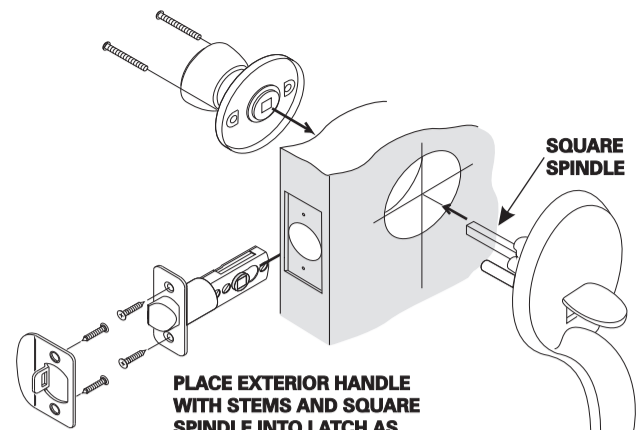
A. INSERT HANDLESET LATCH IN HOLE. KEEPING IT PARALLEL TO EDGE OF DOOR. MARK OUTLINE AND REMOVE LATCH.

B. CHISEL 1/8" DEEP OR UNTIL LATCH FACE IS FLUSH WITH DOOR EDGE.

C. INSERT LATCH AND SECURE WITH WOOD SCREWS.

D. REPEAT PROCEDURE FOR CYLINDER DEADBOLT LATCH.

## 4. INSTALL EXTERIOR HANDLE MECHANISM



PLACE EXTERIOR HANDLE WITH STEMS AND SQUARE SPINDLE INTO LATCH AS SHOWN. PRESS TIGHTLY AGAINST DOOR FACE.

## 5. INSTALL INTERIOR KNOBS

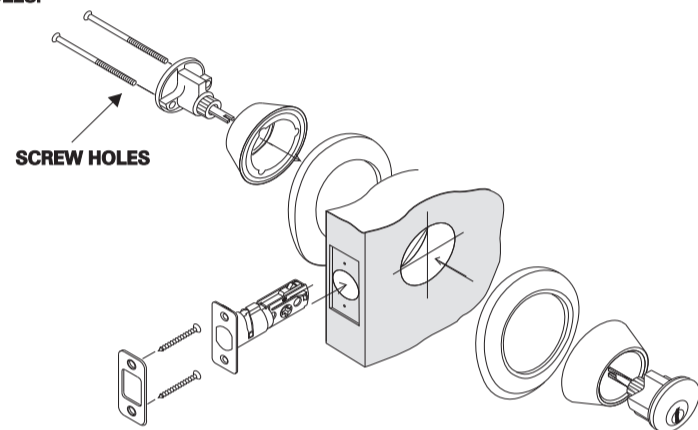
A. AFTER EXTERIOR HANDLE IS IN POSITION, INSTALL INTERIOR KNOB AND TIGHTEN SCREWS.

B. INSTALL BOTTOM SCREW. INSERT SCREW THROUGH WASHER AND INTO BOTTOM HOLE AND TIGHTEN FIRMLY.

## 6. INSTALL CYLINDER DEADLOCK AND TRIM

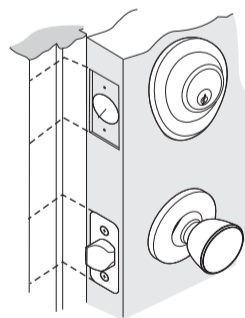
A. INSERT CYLINDER IN DECORATIVE TRIM AND PRESS AGAINST DOOR MAKING CERTAIN THE STEM AND TAIL PIECE ARE PROPERLY POSITIONED IN LATCH HOLES.

B. SLIDE INSIDE MATING TRIM ONTO TAIL PIECE, AND SECURE WITH MACHINE SCREWS.



## 7. INSTALL STRIKES

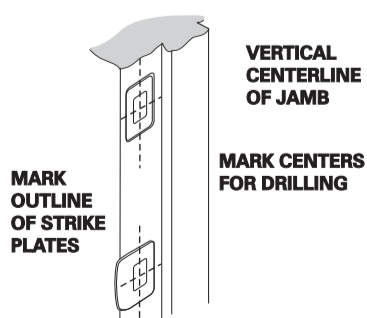
A. CLOSE DOOR UNTIL LATCH BOLT TOUCHES DOOR JAMB. MARK DOOR JAMB AS SHOWN WITH A PENCIL.



B. CENTER THE STRIKER PLATES ON THE DOOR JAMB WITHIN THE AREAS MARKED IN STEP A.

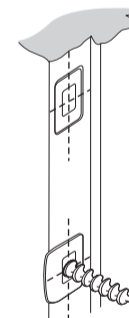
## 8. MARK OUTLINE

MARK OUTLINE OF STRIKER PLATE INCLUDING FIXING HOLES. MARK CENTER OF BOLT HOLES FOR DRILLING AS SHOWN.



## 9. DRILL AND INSTALL STRIKERS

1. DRILL 7/8" HOLES IN DOOR JAMB. CAUTION: TO ASSURE PROPER LOCKSET FUNCTION, HOLES IN DOOR JAMBS MUST BE DRILLED 1" DEEP.



INSTALL STRICKER PLATES AND SECURE WITH THE WOOD SCREWS

2. CHISEL OUTLINE FOR STRICKER PLATES 1/16" DEEP OR UNTIL PLATES ARE FLUSH WITH DOOR JAMB.

### — PARTS —

1. CYLINDER & TRIM
2. EXTERIOR HANDLE
3. INTERIOR KNOB
4. LOWER LATCH
5. LOWER STRIKER PLATE
6. MACHINE SCREW

