



**Philadelphia Hardware Group Inc.**

6590 Top Gun Street  
San Diego, CA 92121  
[www.philhardware.com](http://www.philhardware.com)  
Tel  
858.642.0450  
858.545.2309  
Fax  
858.642.0454

## Interconnected Lock – IZ Series

## Residential Grade 2



3 hours Fire rating  
UL10C/UBC 7-2(1997)  
Positive Pressure Rated

LISTED



ADA compliant  
ANSI A117.1  
Barrier Free  
Accessibility

### SPECIFICATIONS

Door Prep	Cross bore: 2-1/8" Mounting (center to center): 5-1/2"
Backset	Fits both 2-3/8" and 2-3/4".
Door Fitting	1-3/8" ~ 1-3/4" door thick. 2" thick optional.
Exposed Trim	Zinc or Stainless steel. Lever is zinc alloy.
Keys	Key as requested (KA, KD, MCK, MK, GMK).
Cylinder	KW1 standard, SC1 optional.
Latch	UL Latch standard for both deadbolt and handle. Upper deadbolt: 2-3/8" and 2-3/4" adjustable (9092UL). Bolt: 1" throw with hardened steel rod insert. Faceplate: 1" x 2-1/4" round corner. Lower handle: 2-3/8" and 2-3/4" adjustable (9079UL). Bolt: 1/2" throw. Faceplate: 1" x 2-1/4" round corner.
Strike	Deadbolt: Full lip 1-3/4" x 2-1/4" round corner (9117). Handle: Full lip 1-3/4" x 2-1/4" round corner (9103).
Door Handing	Universal, non-handing
Function	ANSI F95 Entrance Single Locking
Finish	US15 Standard Other finishes available with minimum order quantity and longer delivery lead-time.
Lever Style	SAN DIEGO (SD), CHARLOTTE (CT) Standard Other lever style available with minimum order quantity and longer delivery lead-time.

### 301IZ-CT-US15



SAN DIEGO

CHICAGO

ATLANTA

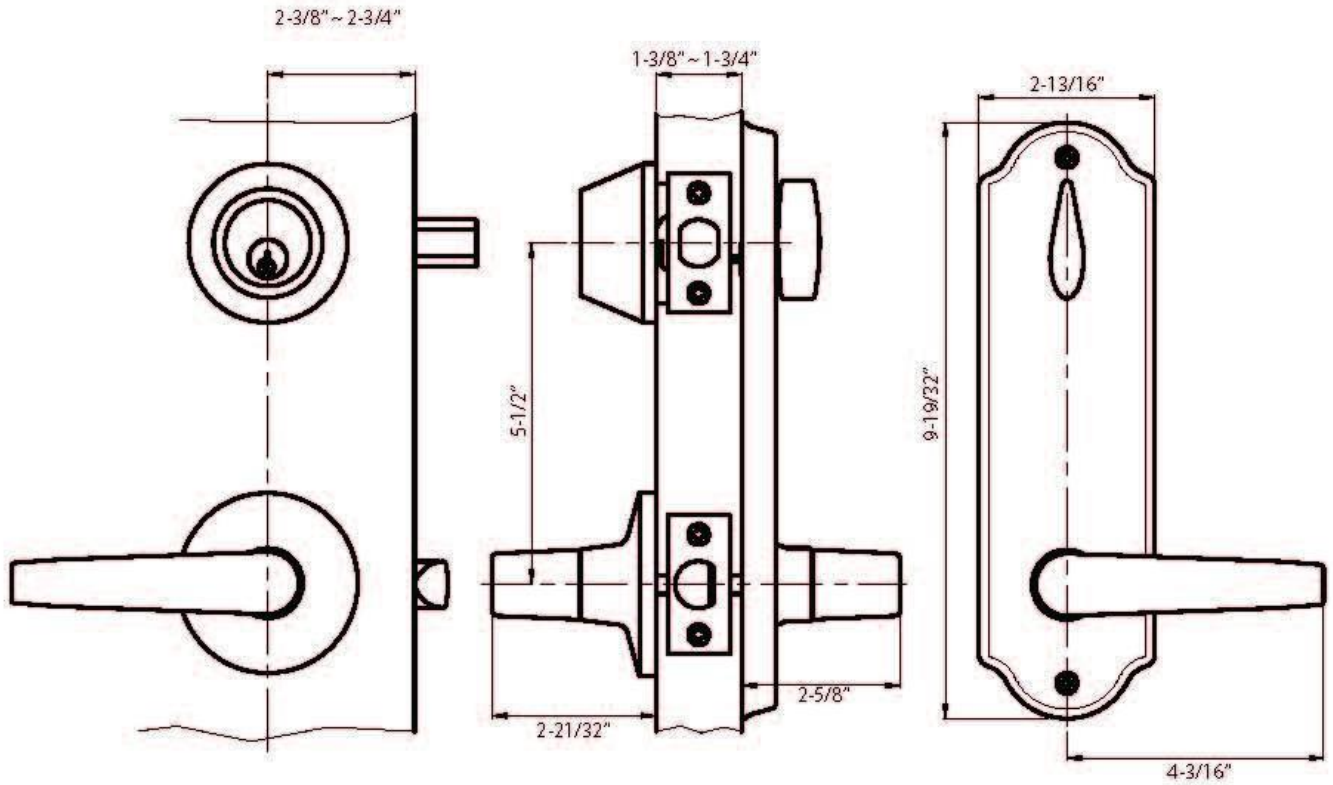


6590 Top Gun Street  
San Diego, CA 92121  
[www.philihardware.com](http://www.philihardware.com)

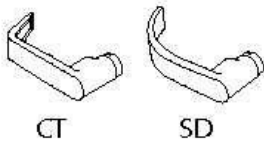
**Philadelphia Hardware Group Inc.**

Tel  
858.642.0450  
858.545.2309  
Fax  
858.642.0454

### DIMENSIONS



Optional Levers:



CHARLOTTE (CT)



SAN DIEGO (SD)

**SAN DIEGO**

•

**CHICAGO**

•

**ATLANTA**