

IL Series

INTERCONNECTED LEVERSET

ANSI GRADE 2

LIFETIME Warranty

ANSI GRADE 2
ANSI/BHMA A156.12-2005
Series 5000, Grade 2
Exceeds 400,000 cycles



LISTED

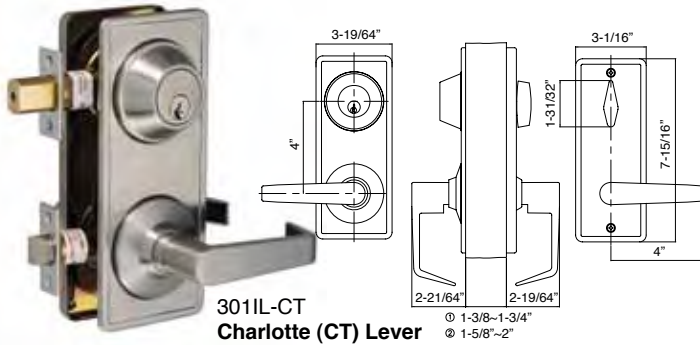
3 hours Fire rating
UL10C/UBC 7-2(1997)
Positive Pressure Rated



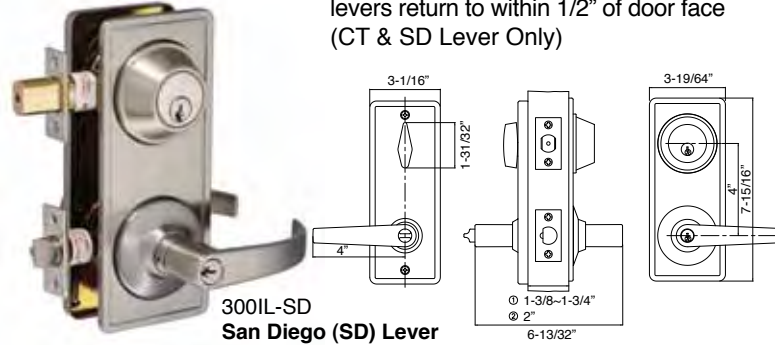
ADA compliant
ANSI A117.1
Barrier Free
Accessibility

**CALIFORNIA STATE
REFERENCE CODE**

Formerly Title 19,
California State Fire Marshal (CSFM)
levers return to within 1/2" of door face
(CT & SD Lever Only)



301IL-CT
Charlotte (CT) Lever



300IL-SD
San Diego (SD) Lever

Specifications

Door Fitting	1-3/8" ~ 1-3/4" door thick. 2" available. 4" center of deadbolt to center of lock chassis.
Exposed Trim	Wrought brass or stainless steel. Pressure cast zinc lever.
Lock Chassis	Heavy gauge dichromated steel with black powder metallurgy cylinder housing.
Cylinder	Solid brass SC4 6-pins standard. KW1 5-pins optional.
Latch	Deadbolt: 1" throw with hardened steel rod insert (L90A0T). 2-3/8" or 2-3/4" adjustable. Latch Bolt: 1/2" throw stainless steel latch bolt. 2-3/4" backset-1-1/8" x 2-1/4" faceplate mortise latch. Optional for 1" width. 2-3/8" backset-1" x 2-1/4" faceplate mortise latch.
Strike	Deadbolt: Standard deadbolt strike (9111), and 1/8" wood frame reinforcer package (9221). Latch Bolt: T-Strike standard (9106).
Handing	Universal, non-handing.
Screws	Combination screws for both metal and wood doors.
Keys	2 brass keys per set. Key as requested (KA, KD, MCK, MK, GMK).
IC Core	Model: 301IL-IC. Door fitting: 1-5/8" ~ 2". SFIC compatible with BEST profile 6-pins and 7-pins.
Indicator	Model: 321IL Indicator with Passage Lever. Model: 320IL Indicator with Entrance Lever.



301IL F95
Entrance
Single Locking



300IL F97
Entrance
Double Locking



304IL F98
Storeroom
Double Locking



Latch & Parts



E9060T
Dead Latch
for 2-3/8" backset



E9070T
Dead Latch
for 2-3/4" backset

E9068T
Spring Latch
for 2-3/8" backset

E9078T
Spring Latch
for 2-3/4" backset



L90A0T
Adjustable UL Deadbolt Latch
for 2-3/8" and 2-3/4" backset



1180
Faceplate Adapter
Use on 1" width for 1-1/8"
width requirement

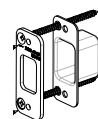
Strike



9106 T-Strike
1-1/8" x 2-3/4"



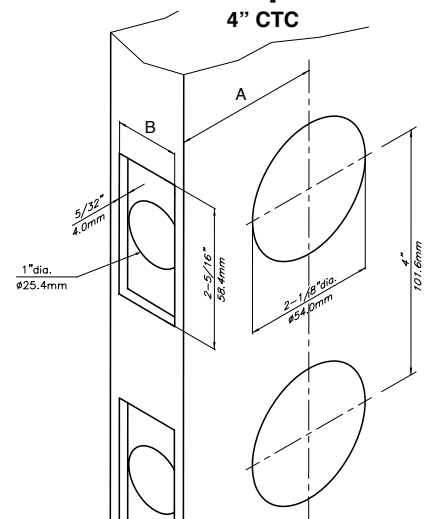
9111
Dead Bolt Strike
1-1/8" x 2-3/4"



**9221 Wood Frame
Reinforcer Package**

- 1/8" thick wood frame reinforcer x 1
- 3" wood screws x 2
- strike box x 1

Door Preparation



Backset	2-3/4"	2-3/8"
A	2-3/4"	2-3/8"
B	1-3/16"	1-1/16"

ADVANTAGE®

by PHILADELPHIA HARDWARE GROUP