



**Philadelphia Hardware Group** – [www.philihardware.com](http://www.philihardware.com)  
 6590 Top Gun St., San Diego, CA. 92121 Tel: 800-545-2309 Fax: 800-828-0988

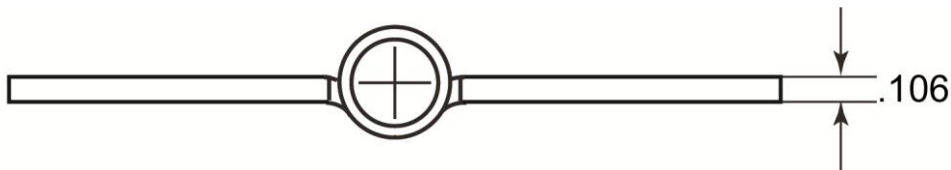
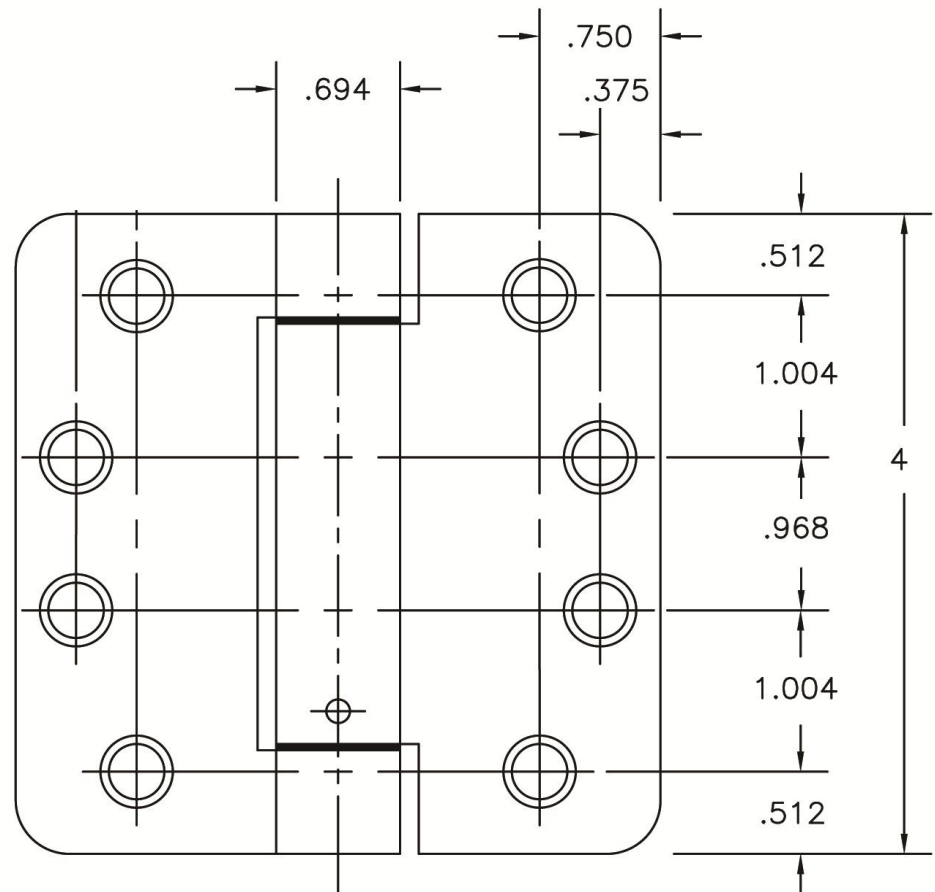
**Revision Date: Dec. 2014**  
**Drawing is not to scale.**

**Template – Advantage Hinge (ANSI A156.17)**

All Dimensions are in inches.

- 4" x SQ. Spring Hinge (Template) – SP41
- 4" x 1/4R Spring Hinge (Template) – SP42
- 4" x 5/8R Spring Hinge (Template) – SP45

Finish	SQ.	1/4"R	5/8"R
USP	-	SP4200	SP4500
US4	SP4104	SP4204	SP4504
US26D	SP4106	SP4206	SP4506
US3	SP4103	SP4203	SP4503
US26	SP4107	SP4207	SP4507
US15	SP4115	SP4215	SP4515
US15A	SP4108	SP4208	SP4508
US10B	SP4110	SP4210	SP4510
US32D	-	-	



**SAN DIEGO**

**CHICAGO**

**ATLANTA**



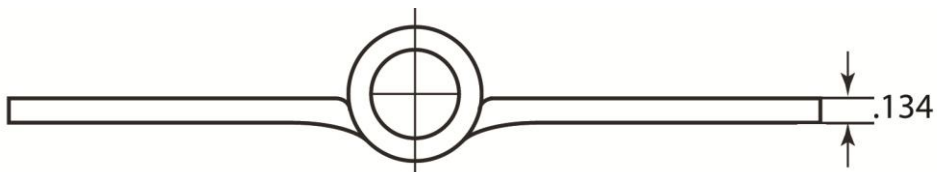
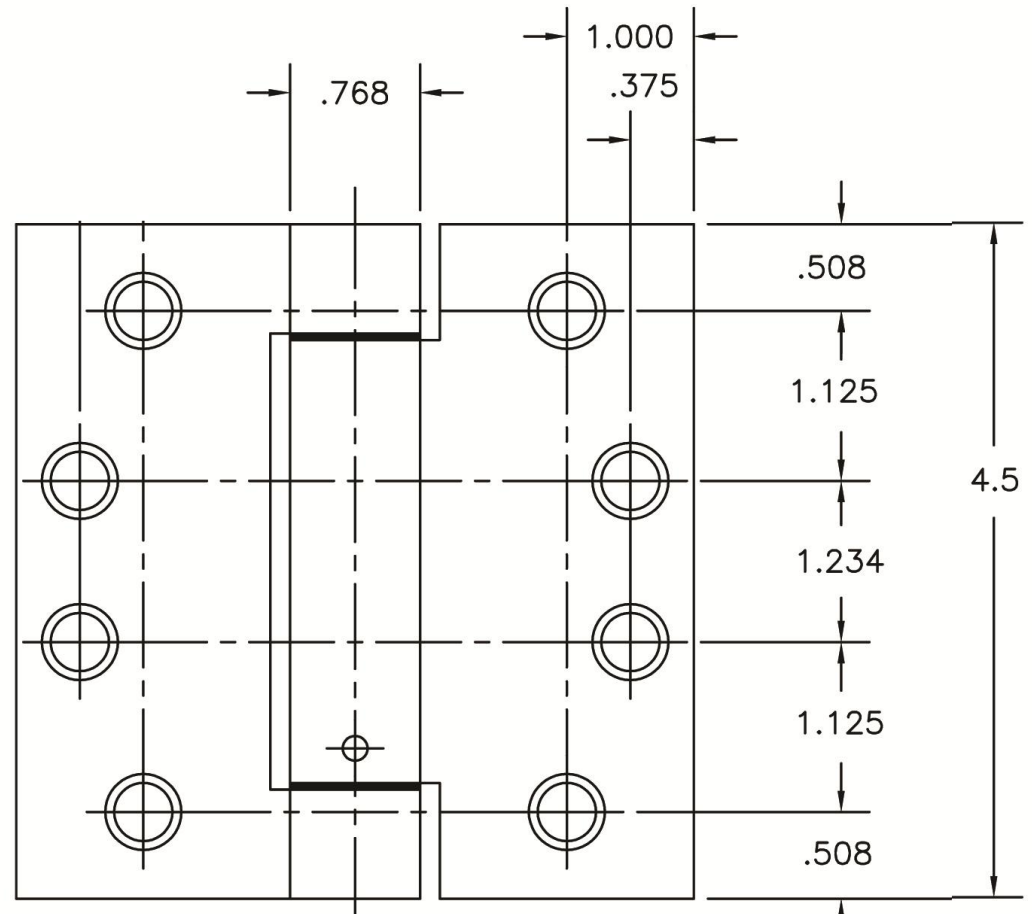
**Philadelphia Hardware Group** – [www.philihardware.com](http://www.philihardware.com)  
 6590 Top Gun St., San Diego, CA. 92121 Tel: 800-545-2309 Fax: 800-828-0988

**Revision Date: Dec. 2014**  
**Drawing is not to scale.**

**Template – Advantage Hinge (ANSI A156.17)**  
 4.5" x SQ. Spring Hinge (Template) – SP55

All Dimensions are in inches.

Finish	SQ.		
USP	-		
US4	SP5504		
US26D	SP5506		
US3	SP5503		
US26	SP5507		
US15	SP5515		
US15A	SP5508		
US10B	SP5510		
US32D	SP5532		



**SAN DIEGO**

**CHICAGO**

**ATLANTA**