



Philadelphia Hardware Group, Inc.

6590 Top Gun Street
San Diego, CA 92121
www.philihardware.com
Tel
858.642.0450
858.545.2309
Fax
858.642.0454

Spring Hinges

ANSI GRADE 1



THERMA-TRU Spring Hinge

SPECIFICATIONS

- UL Grade 1, cycling over a million times.
- UL Listed for Fire Door Applications. Confirms to ANSI/UL 10C and UBC 7-2.
- Full Mortise, Single Acting.
- Therma-Tru mounting hole pattern.
- Steel ANSI K81071F
- 2pcs per box, furnished with screws and Allen wrench for spring adjustment
- Finish – various finishes available, please refer to price book for details.

CODE	SIZE	RADIUS	MATERIAL	GAUGE
TS480	4" x 4"	5/8" radius x Square	Steel	0.106" (2.7mm)

SCREWS

Each box come with 2 Bags of Combine screws

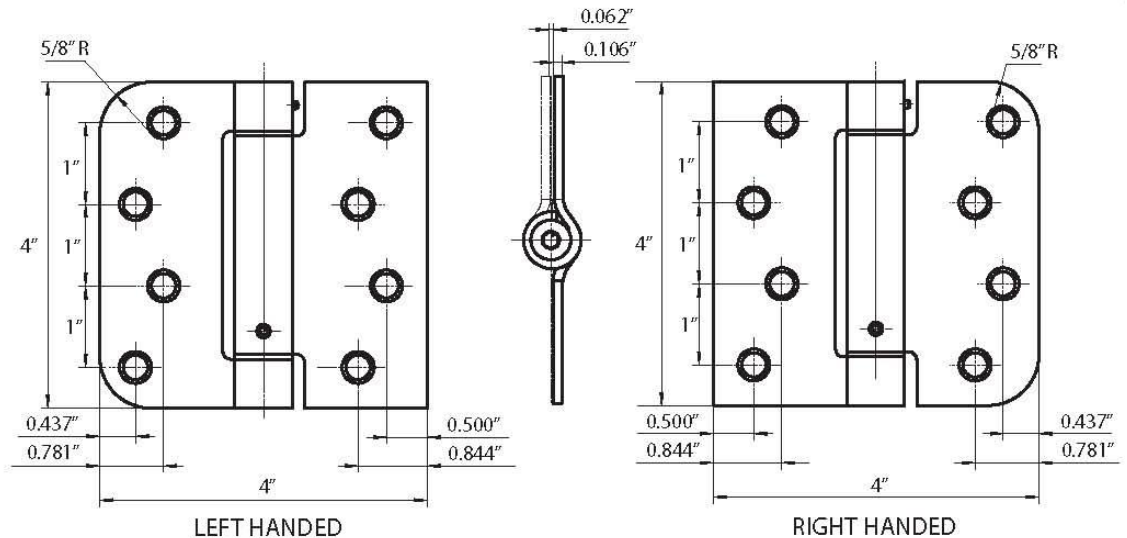
8pcs #10 x 1" Wood screws

4pcs #10 x 1/2" 12-24NC Machine screws

* NFPA requires a minimum of two (2) spring hinges on labeled doors.

** For fire doors refer to NFPA-80.

DIMENSIONS



SAN DIEGO

CHICAGO

SEATTLE