



Philadelphia Hardware Group, Inc.

6590 Top Gun Street
San Diego, CA 92121
www.philihardware.com
Tel
858.642.0450
858.545.2309
Fax
858.642.0454

Residential Hinge

BENCHMARK

SPECIFICATIONS

- 4" Full mortise hinge.
- 5 knuckles, reversible design, pin removable.
- Benchmark mounting hole pattern.
- Steel base metal, gauge: 0.09" (2.3mm).
- Non-Removable pin (NRP) available

CODE	SIZE	RADIUS	SCREW
BH45	4" x 4"	5/8"	#9 x 1"

* Stock Finish – USP, US3, US4, US26D

PACKING

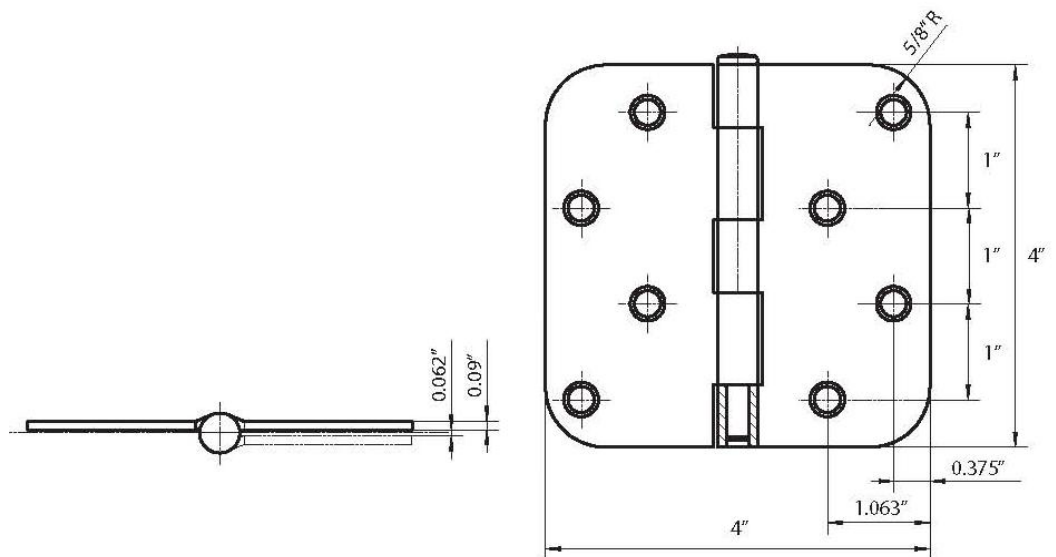
- Bulk assembled
- Box back – 2pcs/box with screws. (Prefix **RHB** instead of RH)

SCREWS

#9 x 3/4" and #9 x 1" wood screw available

Not to Scale

DIMENSIONS



SAN DIEGO

CHICAGO

SEATTLE