



Philadelphia Hardware Group, Inc.

6590 Top Gun Street  
San Diego, CA 92121  
[www.philihardware.com](http://www.philihardware.com)  
Tel  
858.642.0450  
858.545.2309  
Fax  
858.642.0454

# Residential Hinge

**THERMA-TRU**

One leaf 5/8" radius-one leaf square

## SPECIFICATIONS

- 4" Full mortise hinge.
- 5 knuckles, reversible design, pin removable.
- Therma-Tru mounting hole pattern, handing.
- Steel base metal, gauge: 0.098" (2.5mm).
- Non-Removable pin (NRP) available

CODE	SIZE	RADIUS	SCREW
RH48	4" x 4"	5/8" Radius x Square	#10 x 1/2" Machine Screw
		(with self aligning tabs)	#10 x 3/4" wood screw

\* Stock Finish – USP, US2D, US3, US3/4, US4, US10B, US15, US15A, US26D  
\* Please specify Right Handed(RH) or Left Handed(LH) when ordering

## PACKING

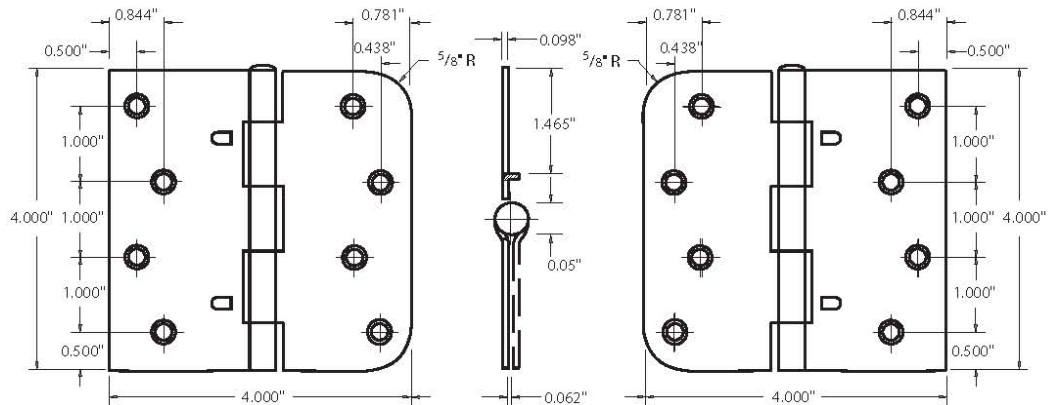
- Bulk assembled
- Box back – 2pcs/box with screws. (Prefix **RHB** instead of RH)

## SCREWS

#10 X 1/2" MACHINE SCREW (10-24NC) STANDARD  
#10 X 3/4" WOOD SCREW

Not to Scale

## DIMENSIONS



SAN DIEGO

CHICAGO

SEATTLE