

EZSET Specifications

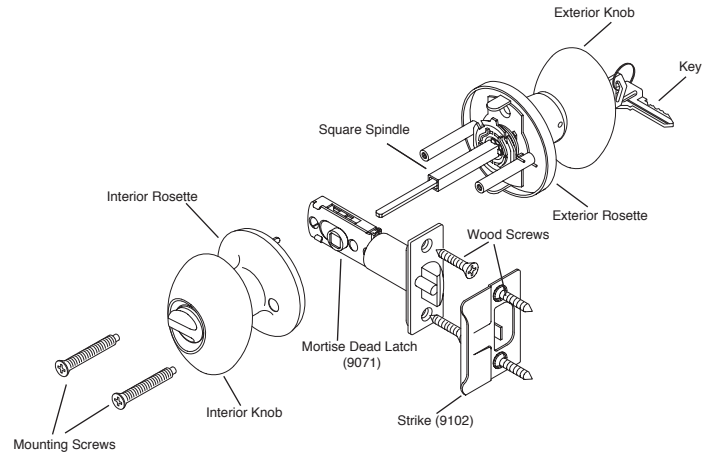


Philadelphia Hardware Group

100T Series Knobset Meets ANSI Grade 3 Standards

STANDARD SPECIFICATIONS

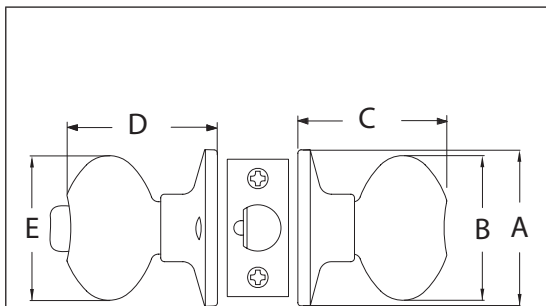
Door Prep	Cross bore: 2-1/8". Edge bore: 1". Latch face" 1" x 2-1/4".
Backset	Fits 2-3/8" and 2-3/4" both.
Door Thickness	1-3/8" ~ 1-3/4" door standard.
Cylinder	KW1 5-pin standard.
Latch	Entrance: 2-3/8" and 2-3/4" adjustable. (9073) Privacy/Passage: 2-3/8" and 2-3/4" adjustable. (9074) Faceplate: 1" x 2-1/4" round corner. Bolt: 1/2" throw.
Strike	1-3/4" x 2-1/4" full lip round corner. (9103)
Wood Screws	Combination screws that suit both wood or metal door mounting.



Optional for Knob Designs

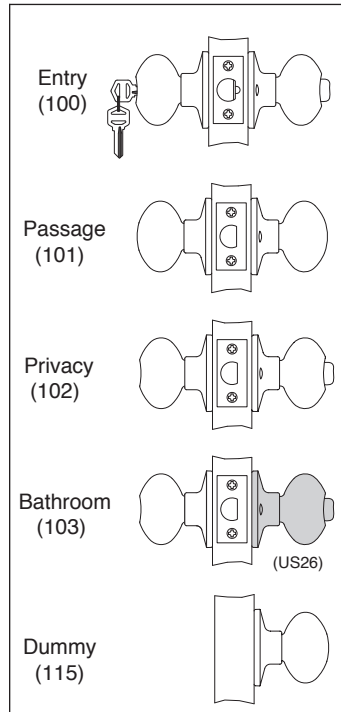


DIMENSIONS



DESIGN				
	Ruby	Bala	Olympus	Guardian
A	2-9/16"	2-9/16"	2-9/16"	2-9/16"
B	2-23/64"	2"	2-13/64"	1-57/64"
C	2-7/16"	2-31/64"	2-21/64"	2-13/32"
D	2-7/16"	2-33/64"	2-25/64"	2-13/32"
E	2-23/64"	2"	2-3/32"	1-57/64"

FUNCTIONS



OPTIONS

DESCRIPTION	NOTE
Door Thickness	Available for 2" and 2-1/4" thick door.
Cylinder	SC1 5-pin.
Keying	Keying as requested.
Latches	Entrance: Square corner (9071), Drive-in. (9075) Privacy/Passage: Square Corner (9072), Drive-in. (9076)
UL Latch	Available
Strikes	1-1/8" x 2-3/4" "T" Type. (9101) 1-3/4" x 2-1/4" Full Lip Square Corner. (9102) 1-3/4" Full Round Corner. (9108) 2-3/4" "T" Type Adjustable. (9125)
Function	Privacy with inside free.
Split Finishes	Available upon request.

AVAILABLE FINISHES

FINISH		RB	BA	OS	GN
PVD	Lifetime Finish		•	•	
US3	Polished Brass	•	•	•	•
US5	Antique Brass		•	•	•
US15	Satin Nickel	•			
US15A	Antique Nickel (Pewter)	•	•	•	
US26	Polished Chrome	•	•	•	
US10B	Oil Rubbed Bronze	•	•	•	
US12P	Tuscany Bronze	•	•	•	
US32D	Satin Stainless Steel		•	•	•

*Other finishes may be available upon request. Please call for more information.

