



Philadelphia Hardware Group, Inc.

6590 Top Gun Street
San Diego, CA 92121
www.philihardware.com

Tel
858.642.0450
858.545.2309
Fax
858.642.0454

Hinge Pin Door Stop "A" Type

SPECIFICATIONS

- Material: Zinc Die-cast
Complete with Rubber Stop and Plastic Spacer
- Projection: 2-7/16" from 5/16" Diameter Hinge Pin
- 2" Adjustable Rubber Head Screw
- Overall Size: 2-7/16" x 1-3/4"

FINISH

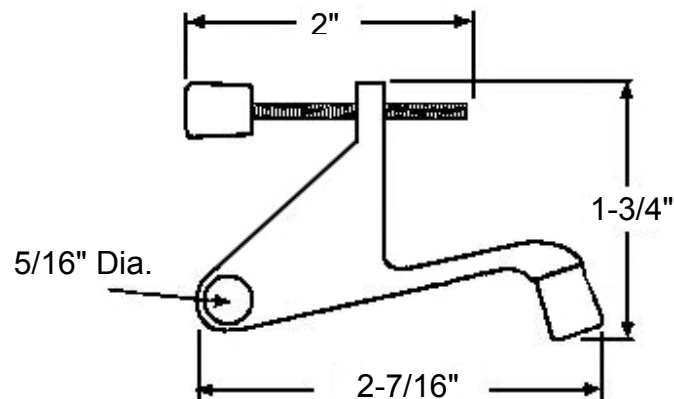
- US3, US5, US26, US26D, US15A,
US15, US10B, US19(Black)



PACKAGING

- 1pc/plastic bag
- 150pcs/box

DIMENSIONS



Not to Scale

SAN DIEGO

CHICAGO

SEATTLE