



Philadelphia Hardware Group, Inc.

6590 Top Gun Street
San Diego, CA 92121
www.philihardware.com
Tel

858.642.0450
858.545.2309
Fax
858.642.0454

Half Leaf Hinge Pin Door Stop

SPECIFICATIONS

- Material: Zinc Die-cast
Complete with Rubber Stop and Plastic Spacer
- Projection: 2-1/2" from 5/16" Diameter Hinge Pin
- 1-13/16" Adjustable Rubber Head Screw
- Overall Size: 2-1/2" x 1-3/4"

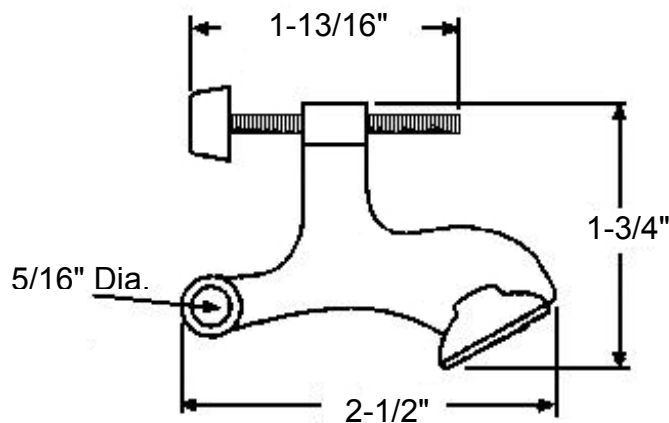
FINISH

- US3, US5, US26, US26D,
US15A, US15, US10B

PACKAGING

- 1pc/plastic bag
- 100pcs/box

DIMENSIONS



Not to Scale

SAN DIEGO

•

CHICAGO

•

SEATTLE

