



Philadelphia Hardware Group, Inc.

6590 Top Gun Street
San Diego, CA 92121
www.philihardware.com
Tel
858.642.0450
858.545.2309
Fax
858.642.0454

4" Door Knocker w/160° Door Viewer

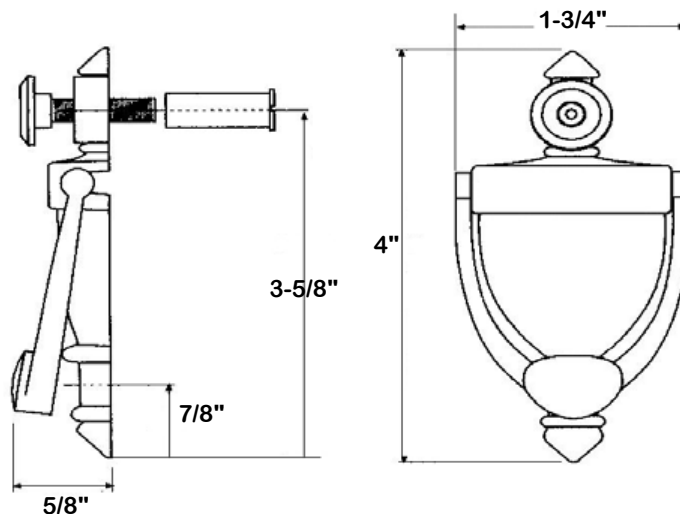
SPECIFICATIONS

- Material: Zinc die-cast knocker with brass viewer
- Viewer fits 1/2" Hole
- Door Fitting 1-3/8" ~ 1-3/4"
- Projection: 5/8" from door surface
- Overall Size: 1-3/4" x 4"
- Complete with Screws

FINISH

- US3, US5, US10B, US15, US15A, US26

DIMENSIONS



Not to Scale

SAN DIEGO

•

CHICAGO

•

SEATTLE

