



6590 Top Gun Street
San Diego, CA 92121
www.philihardware.com
Tel
858.642.0450
858.545.2309
Fax
858.642.0454

Philadelphia Hardware Group, Inc.

HRC-207 Heavy Duty Jumbo Roller Catch

SPECIFICATIONS

- Meets ANSI 156.16 for E09091
- Material: Brass construction
- Adjustable Nylon Roller
- With Heavy Duty Lip Strike and T-Trike.
- Overall Size: 1" x 3-3/8" x 1-9/16" Depth
- Provided with Two Screws



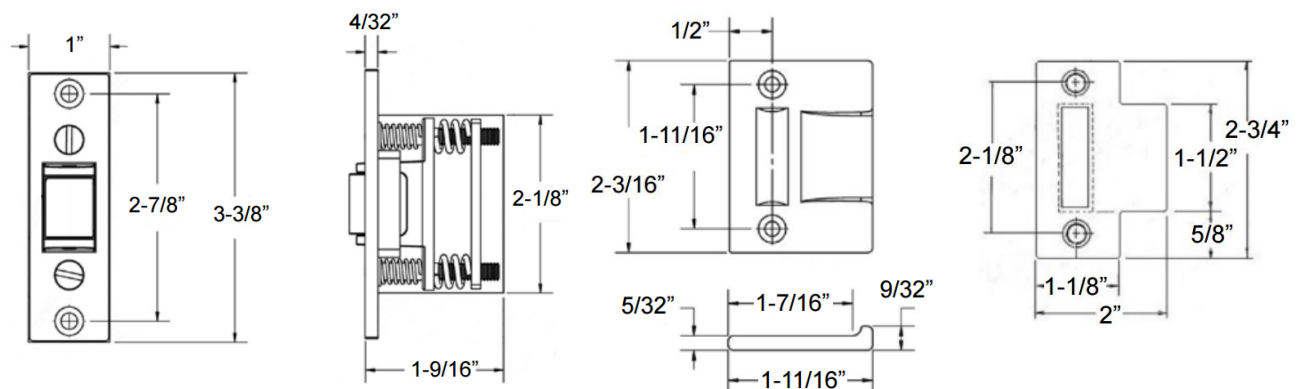
FINISH

- US3, US10B, US15, US15A, US26, US26D

PACKAGING

- 60pc/carton

DIMENSIONS



Not to Scale

SAN DIEGO

•

CHICAGO

•

ATLANTA

•

DALLAS