



Philadelphia Hardware Group, Inc.

6590 Top Gun Street
San Diego, CA 92121
www.philihardware.com
Tel
858.642.0450
858.545.2309
Fax
858.642.0454

FBS-106 Flush Bolt 6" Square

SPECIFICATIONS

- Material: Metal construction
- Door Fitting: 1-1/4" ~ 1-3/4"
- Door Prep: Edge Bore - 3/4" x 11/16" Deep
- Bolt Tip: \varnothing 1/2"
- Bolt throw: 1"
- Packaging Includes Strike Plates and 4 Wooden Screws
- Overall Size: 3/4" x 6"
- Strike Size: 7/8" x 1-3/4"

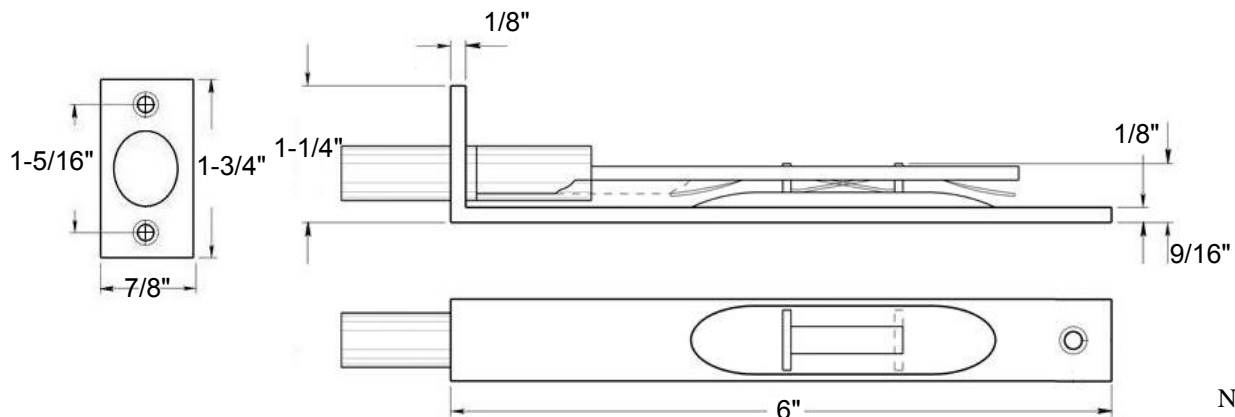
FINISH

- US3, US5, US10B, US12P, US15, US15A, US26, US26D

PACKAGING

- 25pc/box

DIMENSIONS



Not to Scale