



Philadelphia Hardware Group, Inc.

6590 Top Gun Street
San Diego, CA 92121
www.philihardware.com
Tel
858.642.0450
858.545.2309
Fax
858.642.0454

DBC-201 Drive-In Ball Catch

SPECIFICATIONS

- Material: Metal construction
- Bullet Size: 1" Diameter
- Barrel: \varnothing 13/16
- Mounting Hole: \varnothing 7/8" x 1-1/8" deep.
- 1-3/4" x 2-1/4" Full Lip Strike, Round Corner.
- Provided with Two Screws



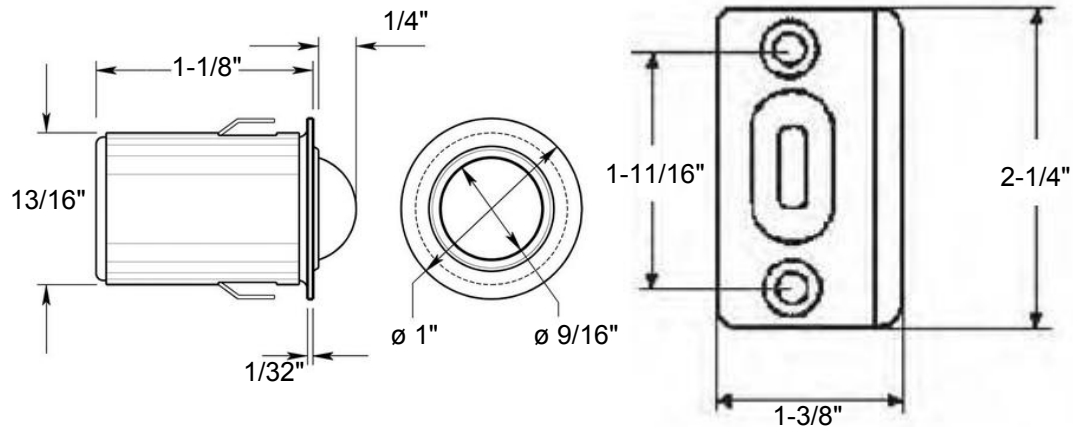
FINISH

- US3, US5, US10B, US15, US15A, US19(Black), US26, US26D

PACKAGING

- 25pc/box

DIMENSIONS



Not to Scale

SAN DIEGO

CHICAGO

SEATTLE