



**Philadelphia Hardware Group Inc.**

6590 Top Gun Street  
San Diego, CA 92121  
[www.philihardware.com](http://www.philihardware.com)  
Tel

858.642.0450  
858.545.2309  
Fax  
858.642.0454

## 700ETL Series Escutcheon Lever Trim

### FEATURES

- Design to use with Exit Device.
- Standard for 1-3/4" – 2" door thick.
- Use extension kits 5214 for 2-1/4" door thick.
- Reversible lever design with clutch feature.
- Hardened steel heavy duty tailpiece.

### SPECIFICATIONS

Exposed Trim	Wrought zinc with steel construction. Pressure cast zinc lever.
Cylinder	Solid brass SC4 6-pins standard. Small format compatible with BEST profile 6-pins and 7-pins..
Finishes	Aluminum, Duro and US26D. US32D available with factory lead-time.
Function	700ETL (ANSI 08) Entrance 701ETL (ANSI 14) Passage 704ETL (ANSI 09) Storeroom 715ETL (ANSI 02) Dummy



700ETL-CT-US26D

### LEVER STYLES

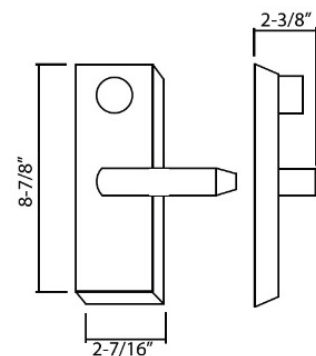


CHARLOTTE (CT)



SAN DIEGO (SD)

### DIMENSION



**SAN DIEGO**

**CHICAGO**

**ATLANTA**