



**Philadelphia Hardware Group Inc.**

6590 Top Gun Street  
San Diego, CA 92121  
[www.philihardware.com](http://www.philihardware.com)  
Tel  
858.642.0450  
858.545.2309  
Fax  
858.642.0454

# 500L Series Lever Trim

## FEATURES

- Design to use with Grade 1 Exit Device.
- Standard for 1-3/4" – 2" door thick.
- Clutch lever design.
- Hardened steel heavy duty tailpiece.



500L-CT-IC US26D

## SPECIFICATIONS

Certification	California State Reference Code: (formerly title 19, California State Fire Marshall standard) all levers with returns, return to within 1/2" (12 mm) of door face.
Exposed Trim	Wrought stainless steel with steel construction. Pressure cast zinc lever.
Cylinder	Solid brass SC4 6-pins standard. Small format compatible with BEST profile 6-pins and 7-pins.
Finishes	US10B (613), US26 (625), US26D (626). US32D available with factory lead-time.
Function	500L (ANSI 08) Entrance 501L (ANSI 14) Passage 504L (ANSI 09) Storeroom (Night-Latch) 515L (ANSI 02) Dummy

## LEVER STYLES

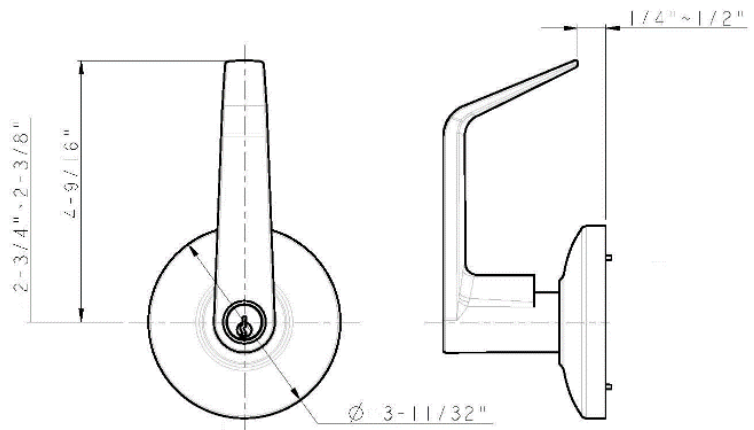


CHARLOTTE (CT)



SAN DIEGO (SD)

## DIMENSION



**SAN DIEGO**

**CHICAGO**

**ATLANTA**