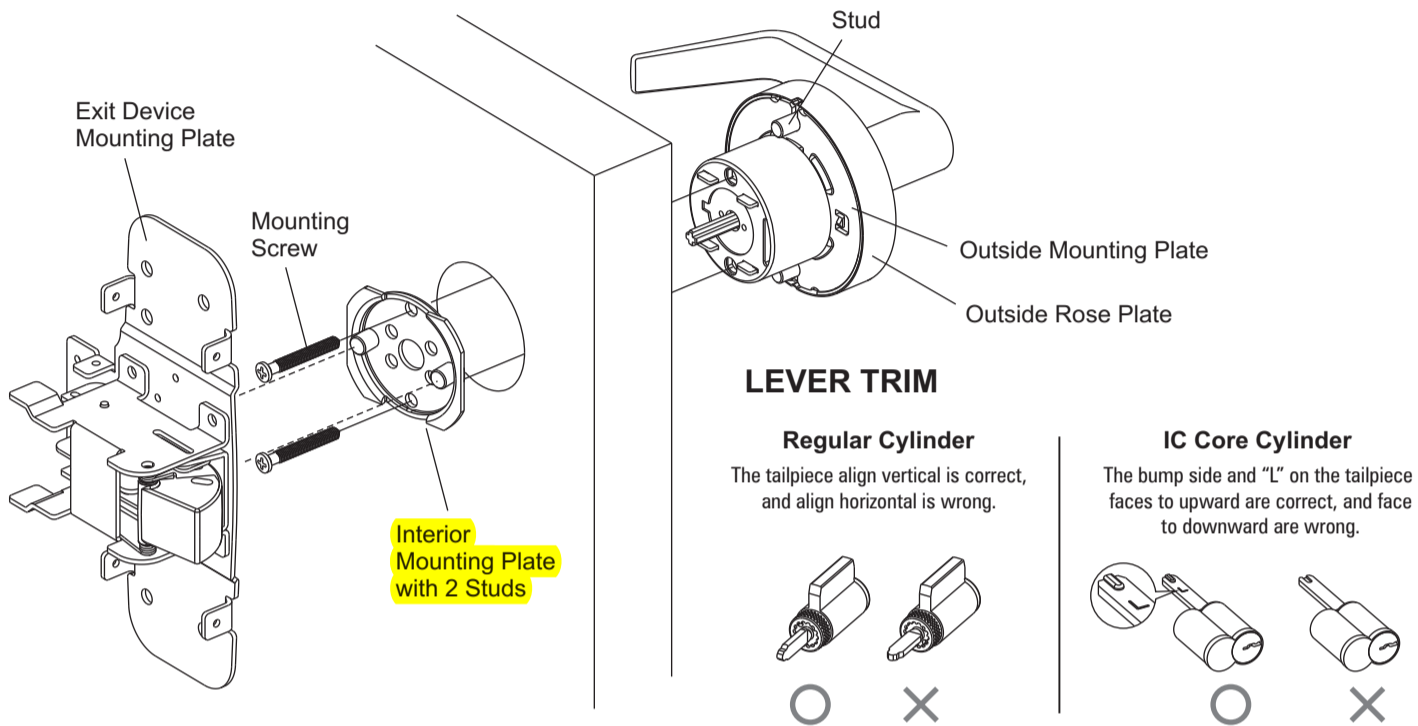


INSTALLATION INSTRUCTIONS FOR LEVER TRIM

When using mounting plate with two alignment studs.



1. Two alignment studs on the lever trim mounting plate must enter into $\text{Ø}5/16"$ (8mm) adapting holes on the exit device mounting plate.
2. Alignment studs on the lever trim must enter into $\text{Ø}5/16"$ (8mm) field drilled holes on outside of door. (Existing slots can be elongated with a file.)

Stud may fall off when installation or re-keying, please follow the process of below to locate the stud.

Note : warranty voided if stud are not installed.

- a. Disassemble outside mounting plate from outside rose plate.
- b. Make clearance between outside mounting plate and insert the stud into the cavities of outside mounting plate.

